

Hitch, 2" Receiver, Select Honda CR-V

INSTALLATION INSTRUCTIONS

READ ALL WARNINGS AND INSTRUCTIONS BEFORE INSTALLATION

⚠️WARNING: Never exceed the vehicle manufacturer's recommended towing capacity.

NOTICE:

- Always use proper tools and safety equipment to ensure a safe and quality installation.
- Inspection of the trailer hitch should be performed before and after each use to ensure all mounting hardware is tight and related hitch components are secure.

⚠️WARNING: Before you begin installation, read all instructions thoroughly.

⚠️WARNING: Safety glasses should be worn at all times while installing this product.

⚠️WARNING: Failure to adhere to exact torque specifications when securing hardware during the installation process can result in damage to the product or your vehicle. This will void the hitch warranty.

LEVEL OF DIFFICULTY: Easy

Installation difficulty levels are based on time and effort required. They will vary depending on the installer's expertise. Vehicle condition could be a factor in the level of difficulty for a proper installation.

WEIGHT CARRYING CAPACITY

Gross Trailer Weight (GTW)	3,500 lb
Tongue Weight (TW)	350 lb

WEIGHT DISTRIBUTION CAPACITY

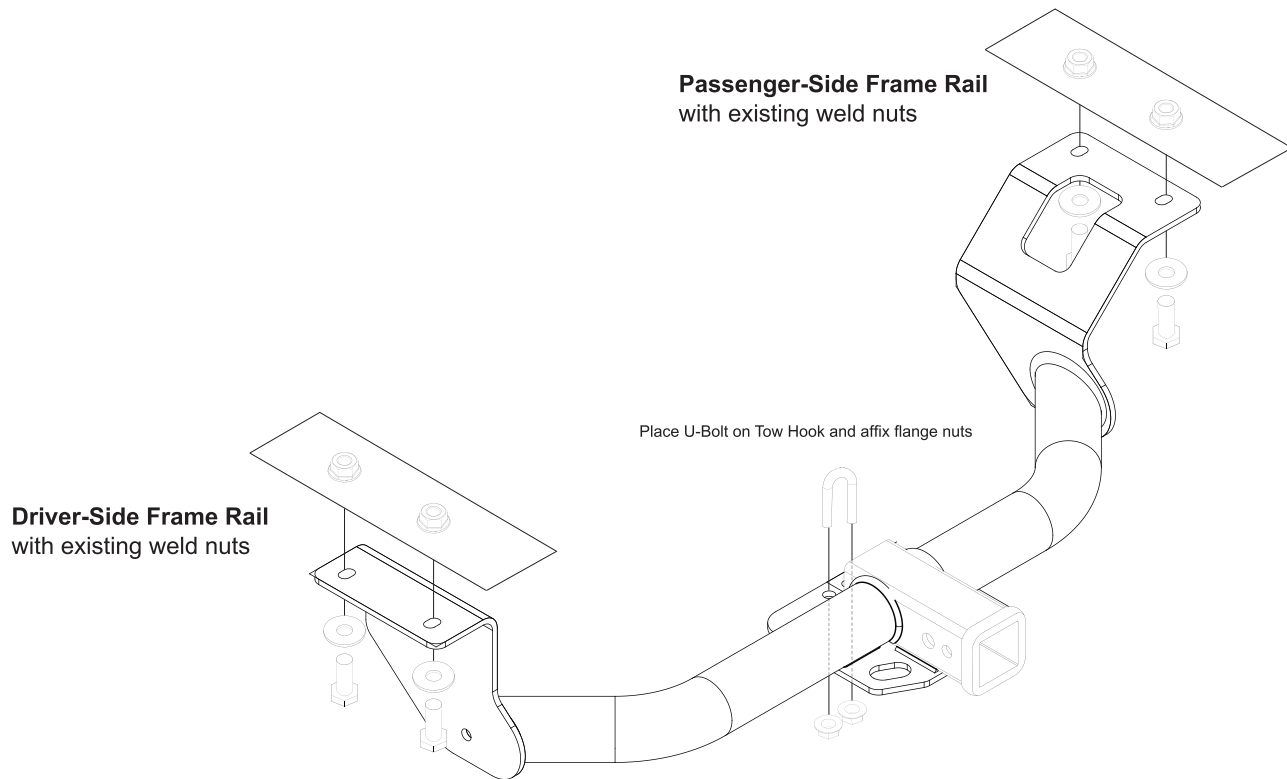
Weight Distribution (WD)	NA
WD Tongue Weight (WDTW)	NA

PARTS LIST

Item	Qty	Description
1	2	Nut, Ser-Flange, 7/16-14 UNC, GRD8, YZ
2	4	HHCS, M10 x 1.25, 30, CL 10.9, YZ
3	4	Washer, S-Con, 7/16, YZ
4	1	U-bolt, 7/16-14 UNC, 1-1/2, N/A, CZ

TOOLS REQUIRED

Safety Glasses
Socket Extension, 9"
Torque Wrench
Ratchet
Socket, 17 mm
Socket, 10 mm
Rotary Tool
Screwdriver
Socket, 11/16"



INSTALLATION:

1. Remove (10) fasteners and lower under-body panel.
2. Lower exhaust by removing (2) rubber isolators from the hangers attached to the exhaust.
3. Mark and trim under-body panel. Reattach under-body panel using fasteners removed in step (1).
Note: Dimensions are approximate; confirm fit prior to trimming. Use ribs of the under-body panel as cutting guides.
4. Insert 7/16" U-bolt through tow hook, as shown.
5. Raise hitch into position and secure using 7/16" flange nuts to the U-bolt and 10 mm bolts with 7/16" conical toothed washers to the weld nuts in the frame rails.
6. Torque all 7/16" hardware to 25 ft-lbs.
Torque all 10 mm hardware to 48 ft-lbs.
7. Raise exhaust back into position.
8. Torque all M12 hardware to 86 ft-lbs.
Torque all 7/16" hardware to 70 ft-lbs.

FISH WIRE TECHNIQUE

1. Insert the coiled end of the fish wire tool through the mounting hole in the vehicle frame rail and out the access hole.
2. Thread the coiled end of the fish wire through the spacer and thread the bolt into the coil.
3. Kink the wire to keep the spacer separate from the bolt.
4. Pull the spacer and bolt through the frame and out the mounting hole.
5. Keep the fish wire secure to prevent loss of the bolt or spacer inside the frame rail.

IF YOU EXPERIENCE ANY PROBLEMS WITH YOUR TOWSMART PRODUCT, DO NOT RETURN THE UNIT TO THE RETAILER FROM WHICH IT WAS PURCHASED. INSTEAD, PLEASE CALL 1-844-295-9215 FOR ASSISTANCE WITH ANY PROBLEMS. WARRANTY INFORMATION IS AVAILABLE UPON REQUEST AND CAN BE FOUND ONLINE AT TOWSMART.COM.

©04/2023



CUSTOM

Winston Products Company
TOWSMART.COM
WINSTON PRODUCTS, LLC.
30339 Diamond Parkway
Cleveland, OH 44139