

Hitch, 2" Receiver, Select Toyota RAV5 RAW

INSTALLATION INSTRUCTIONS

READ ALL WARNINGS AND INSTRUCTIONS BEFORE INSTALLATION

⚠️ WARNING: Never exceed the vehicle manufacturer's recommended towing capacity.

NOTICE:

- Always use proper tools and safety equipment to ensure a safe and quality installation.
- Inspection of the trailer hitch should be performed before and after each use to ensure all mounting hardware is tight and related hitch components are secure.

⚠️ WARNING: Before you begin installation, read all instructions thoroughly.

⚠️ WARNING: Safety glasses should be worn at all times while installing this product.

⚠️ WARNING: Failure to adhere to exact torque specifications when securing hardware during the installation process can result in damage to the product or your vehicle. This will void the hitch warranty.

LEVEL OF DIFFICULTY: Easy

Installation difficulty levels are based on time and effort required. They will vary depending on the installer's expertise. Vehicle condition could be a factor in the level of difficulty for a proper installation.

WEIGHT CARRYING CAPACITY

Gross Trailer Weight (GTW)	3,500 lb
Tongue Weight (TW)	525 lb

WEIGHT DISTRIBUTION CAPACITY

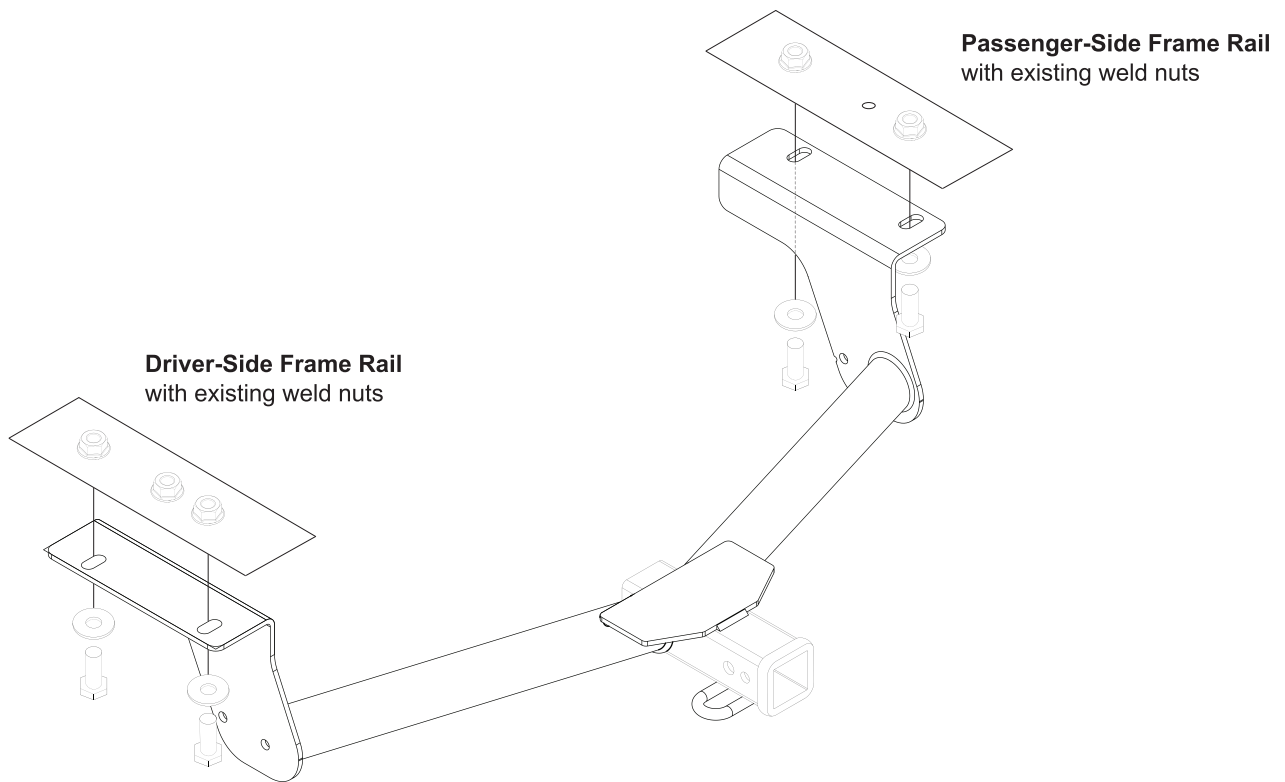
Weight Distribution (WD)	4,500 lb
WD Tongue Weight (WDTW)	525 lb

PARTS LIST

Item	Qty	Description
1	4	M12-1.25 x 40 Hex Cap Screw Gr 10.9 Zinc Yellow DIN 961
2	4	1/2 Conical Tooth Washer Grade 5 ZY

TOOLS REQUIRED

Safety Glasses
Ratchet
Socket, 17 mm
Socket, 19 mm
Torque Wrench
8" Socket Extension
Wire Pipe Brush



INSTALLATION:

1. If applicable, remove panel and trim diagram above as reference. Remove tie down bracket from the driver's side of the vehicle and provide to the owner.
2. Lower rear most exhaust isolator for easier installation.
3. Raise hitch into position over existing weld nuts and install the supplied 12 mm hex bolts and conical tooth washers as shown.
4. Raise exhaust back into location and reinstall rubber isolator.
5. Torque hardware to 86 ft-lbs.
6. Torque all M12 hardware to 86 ft-lbs.
Torque all 7/16" hardware to 70 ft-lbs.

FISH WIRE TECHNIQUE

1. Insert the coiled end of the fish wire tool through the mounting hole in the vehicle frame rail and out the access hole.
2. Thread the coiled end of the fish wire through the spacer and thread the bolt into the coil.
3. Kink the wire to keep the spacer separate from the bolt.
4. Pull the spacer and bolt through the frame and out the mounting hole.
5. Keep the fish wire secure to prevent loss of the bolt or spacer inside the frame rail.

IF YOU EXPERIENCE ANY PROBLEMS WITH YOUR TOWSMART PRODUCT, DO NOT RETURN THE UNIT TO THE RETAILER FROM WHICH IT WAS PURCHASED. INSTEAD, PLEASE CALL 1-844-295-9215 FOR ASSISTANCE WITH ANY PROBLEMS. WARRANTY INFORMATION IS AVAILABLE UPON REQUEST AND CAN BE FOUND ONLINE AT WWW.TOWSMART.COM.

©06/2023



CUSTOM

A Winston Products Company
TOWSMART.COM
 WINSTON PRODUCTS, LLC.
 30339 Diamond Parkway
 Cleveland, OH 44139