

Hitch, 2" Receiver, Select Buick Enclave, Chevy Traverse, GMC Acadia, Outlook

INSTALLATION INSTRUCTIONS

READ ALL WARNINGS AND INSTRUCTIONS BEFORE INSTALLATION

⚠ WARNING: Never exceed the vehicle manufacturer's recommended towing capacity.

NOTICE:

- Always use proper tools and safety equipment to ensure a safe and quality installation.
- Inspection of the trailer hitch should be performed before and after each use to ensure all mounting hardware is tight and related hitch components are secure.

⚠ WARNING: Before you begin installation, read all instructions thoroughly.

⚠ WARNING: Safety glasses should be worn at all times while installing this product.

⚠ WARNING: Failure to adhere to exact torque specifications when securing hardware during the installation process can result in damage to the product or your vehicle. This will void the hitch warranty.

LEVEL OF DIFFICULTY: Easy

Installation difficulty levels are based on time and effort required. They will vary depending on the installer's expertise. Vehicle condition could be a factor in the level of difficulty for a proper installation.

WEIGHT CARRYING CAPACITY

Gross Trailer Weight (GTW)	5,000 lb
Tongue Weight (TW)	750 lb

WEIGHT DISTRIBUTION CAPACITY

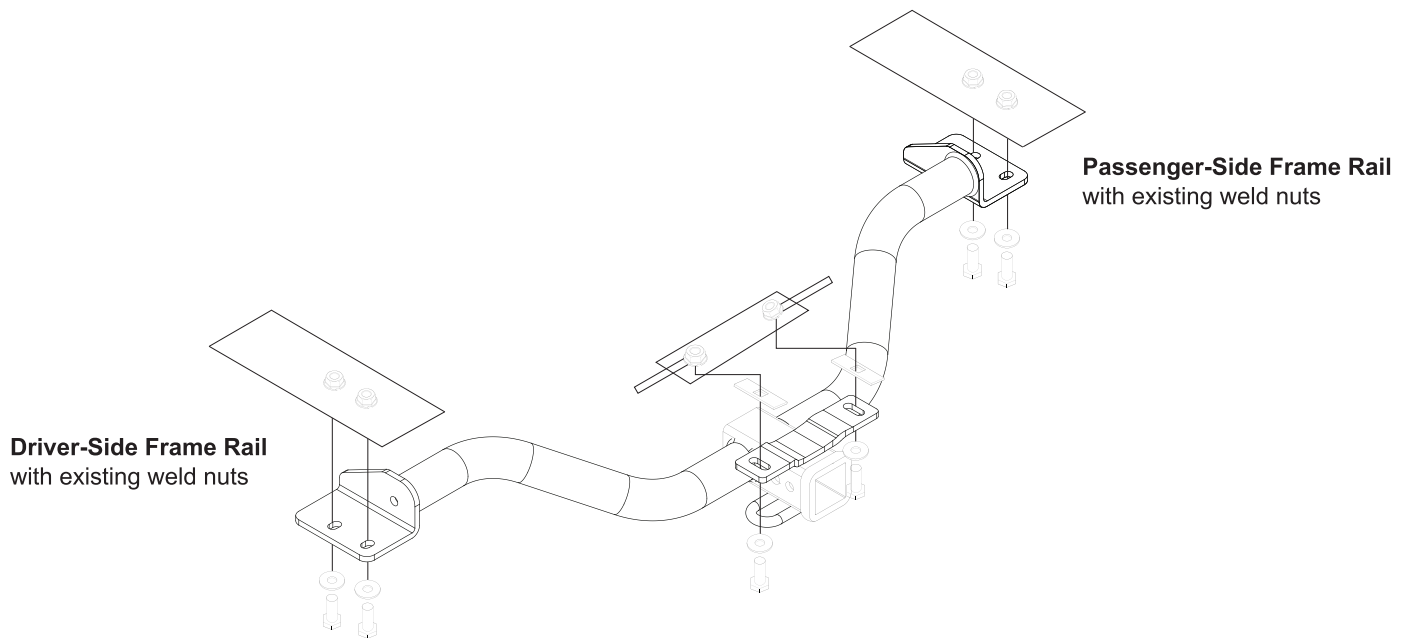
Weight Distribution (WD)	7,500 lb
WD Tongue Weight (WDTW)	750 lb

PARTS LIST

Item	Qty	Description
1	6	Hex Bolt CL 10.9 ml 12 x 1.75 x 45 mm
2	2	Spacer .250 x 1 x 2
3	6	Conical Washer
4	2	Handle Nuts 1/2" - 13
5	2	Hex Bolt GR 5-1/2" - 13 x 1-3/4"

TOOLS REQUIRED

Safety Glasses
Socket, 7 mm
Socket, 3/4"
Star Drivers T15
Ratchet
Torque Wrench
Socket, 18 mm
Plastic Trim Tools
Flat Head Screw Driver



INSTALLATION:

1. Remove the fascia door, then return it to the owner.
2. If equipped with integrated rear fascia exhaust outlets, remove rear fascia (if not, skip to Step 3) – On each side, remove (5) screws inside wheel well toward rear and (1) screw on bottom of fascia near wheel well. Using appropriate removing tools, remove rear side of wheel well trim. Remove (1) bolt in corner of rear fascia over wheel well behind wheel well trim. Under vehicle, remove (1) plastic rivet on inside of rear fascia toward center of vehicle. Open tailgate, remove (2) bolts, (1) wheel well and repeat along to other side.
3. Lower Exhausts - Detach the rubber exhaust hangers and lower the rearward portion of the exhaust [(2) on single exhaust or (4) on dual exhaust]. Support exhaust to prevent damage.
4. Raise hitch into position over the exhaust pipes, aligning the slots in the hitch with the weld nuts in the bottom of the frame rail.
5. Install side fasteners - loosely install the M12 bolts and 1/2" conical washers in existing weld nuts in frame on each end of Hitch.
6. Install central fasteners - install fasteners in central receiver bracket.
Place (1) spacer for each hole between the bracket and bumper.
 - a. With bumper weld nuts – (2) M12 bolts and (2) 1/2" conical washers.
 - b. Without bumper weld nuts – (2) 1/2" bolts, (2) conical washers and (2) handle nuts.
7. Tighten all M12 CL10.9 fasteners with torque wrench to 92 ft-lbs (125 N-m) & tighten all 1/2-13 GR 5 fasteners with torque wrench to 50 ft-lbs (68 N-m).
 - a. Proper torque is needed to keep the hitch secure to the vehicle when towing.
8. Raise Exhaust - Raise the rearward portion of the exhaust back into position and attach the rubber exhaust hangers [(2) on single exhaust or (4) on dual exhaust].
9. If equipped with integrated rear fascia exhaust outlets - Refer to Step 2 fascia removal and reverse the steps to install rear fascia.
10. Torque all M12 hardware to 86 ft-lbs.
Torque all 7/16" hardware to 70 ft-lbs.

FISH WIRE TECHNIQUE

1. Insert the coiled end of the fish wire tool through the mounting hole in the vehicle frame rail and out the access hole.
2. Thread the coiled end of the fish wire through the spacer and thread the bolt into the coil.
3. Kink the wire to keep the spacer separate from the bolt.
4. Pull the spacer and bolt through the frame and out the mounting hole.
5. Keep the fish wire secure to prevent loss of the bolt or spacer inside the frame rail.

IF YOU EXPERIENCE ANY PROBLEMS WITH YOUR TOWSMART PRODUCT, DO NOT RETURN THE UNIT TO THE RETAILER FROM WHICH IT WAS PURCHASED. INSTEAD, PLEASE CALL 1-844-295-9215 FOR ASSISTANCE WITH ANY PROBLEMS. WARRANTY INFORMATION IS AVAILABLE UPON REQUEST AND CAN BE FOUND ONLINE AT TOWSMART.COM.



CUSTOM

A Winston Products Company
TOWSMART.COM
WINSTON PRODUCTS, LLC.
30339 Diamond Parkway
Cleveland, OH 44139