

Hitch, 2" Receiver, Select Ford Explorer

INSTALLATION INSTRUCTIONS

READ ALL WARNINGS AND INSTRUCTIONS BEFORE INSTALLATION

⚠ WARNING: Never exceed the vehicle manufacturer's recommended towing capacity.

NOTICE:

- Always use proper tools and safety equipment to ensure a safe and quality installation.
- Inspection of the trailer hitch should be performed before and after each use to ensure all mounting hardware is tight and related hitch components are secure.

⚠ WARNING: Before you begin installation, read all instructions thoroughly.

⚠ WARNING: Safety glasses should be worn at all times while installing this product.

⚠ WARNING: Failure to adhere to exact torque specifications when securing hardware during the installation process can result in damage to the product or your vehicle. This will void the hitch warranty.

LEVEL OF DIFFICULTY: Easy

Installation difficulty levels are based on time and effort required. They will vary depending on the installer's expertise. Vehicle condition could be a factor in the level of difficulty for a proper installation.

WEIGHT CARRYING CAPACITY

Gross Trailer Weight (GTW)	4,500 lb
Tongue Weight (TW)	675 lb

WEIGHT DISTRIBUTION CAPACITY

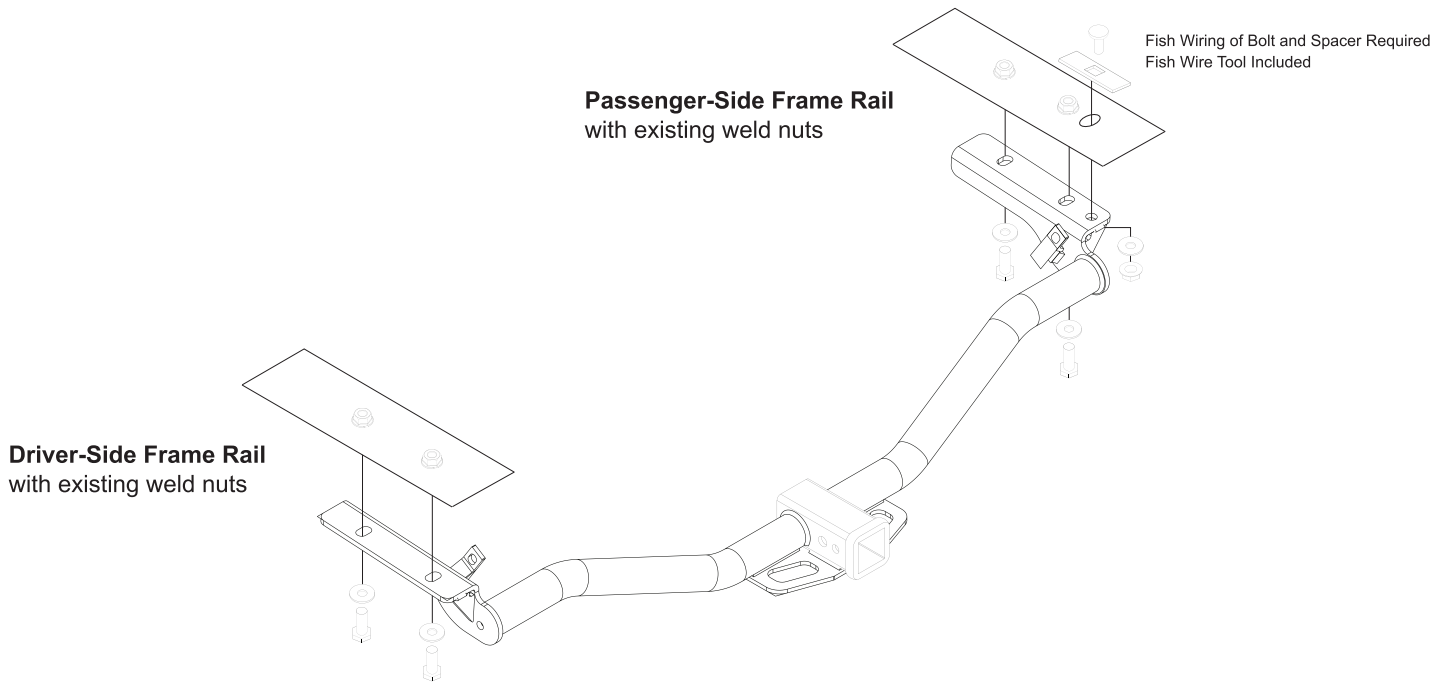
Weight Distribution (WD)	5,000 lb
WD Tongue Weight (WDTW)	500 lb

PARTS LIST

Item	Qty	Description
1	4	Hex Bolt M12 x 1.75 40 mm CL8.8
2	5	Conical Washer 1/2"
3	1	Bolt Carriage 1/2-13 x 1.50 GR5
4	1	Spacer 1/4" x 1.00 x 2.00
5	1	Hex Nut 1/2-13
6	2	Bolt Carriage 7/16-14 x 2.500 GR5
7	2	Flat Washer 7/16"
8	2	Hex Lock Nut 7/16-14
9	1	Pull Wire 1/2-13

TOOLS REQUIRED

Safety Glasses
Ratchet
Socket, 18 mm
Socket, 19 mm
Socket, 3/4"
Socket, 11/16"
Torque Wrench
Lubricant or Soapy Water
6" Socket Extension
Pry Bar or Exhaust Removal Pliers
Optional Universal Joint Socket



INSTALLATION:

1. Lower exhaust system at the rubber isolator (3 places).
Note: Spraying a lubricant or soapy water helps with removal. Remove rubber isolator from mufflers only (2) to be re-installed step 3. Always secure muffler so it cannot fall.
2. Remove and return exhaust hanger, and/or exhaust hanger with factory tow hook, and fasteners to vehicle owner.
3. Install carriage bolts into exhaust hangers on hitch. Install rubber isolators removed in Step 1, onto 7/16 carriage bolts on hitch. Install flat washer, and 7/16-14 hex lock nut.
4. Feed 1/2-13 carriage bolt and spacer into the passenger side frame rail. Leave pull wire attached.
5. Feed pull wire through hole in bracket on passenger side. Raise hitch into position, over exhaust and align with existing weld nuts in frame rail and 1/2-13 carriage bolt installed in Step 4. Install M12 hex bolts and conical washer as shown.
6. Remove wire and install conical washer and hex nut on carriage bolt.
7. Tighten all M12 CL8.8 fasteners with torque wrench to 68 ft-lbs (92 N*M), tighten all 1/2-13 GR5 fasteners with torque wrench to 75 ft-lbs (102 N*M).
 - a. Proper torque is always required.
8. Raise exhaust back into position (3 places).
9. Torque all M12 hardware to 86 ft-lbs.
Torque all 7/16" hardware to 70 ft-lbs.

FISH WIRE TECHNIQUE

1. Insert the coiled end of the fish wire tool through the mounting hole in the vehicle frame rail and out the access hole.
2. Thread the coiled end of the fish wire through the spacer and thread the bolt into the coil.
3. Kink the wire to keep the spacer separate from the bolt.
4. Pull the spacer and bolt through the frame and out the mounting hole.
5. Keep the fish wire secure to prevent loss of the bolt or spacer inside the frame rail.

IF YOU EXPERIENCE ANY PROBLEMS WITH YOUR TOWSMART PRODUCT, DO NOT RETURN THE UNIT TO THE RETAILER FROM WHICH IT WAS PURCHASED. INSTEAD, PLEASE CALL 1-844-295-9215 FOR ASSISTANCE WITH ANY PROBLEMS. WARRANTY INFORMATION IS AVAILABLE UPON REQUEST AND CAN BE FOUND ONLINE AT WWW.TOWSMART.COM.



CUSTOM

A Winston Products Company
TOWSMART.COM
WINSTON PRODUCTS, LLC.
30339 Diamond Parkway
Cleveland, OH 44139