

Hitch, 2" Receiver, CHEVROLET SILVERADO, GMC SIERRA

INSTALLATION INSTRUCTIONS

READ ALL WARNINGS AND INSTRUCTIONS BEFORE INSTALLATION

⚠️WARNING: Never exceed the vehicle manufacturer's recommended towing capacity.

NOTICE:

- Always use proper tools and safety equipment to ensure a safe and quality installation.
- Inspection of the trailer hitch should be performed before and after each use to ensure all mounting hardware is tight and related hitch components are secure.

⚠️WARNING: Before you begin installation, read all instructions thoroughly.

⚠️WARNING: Safety glasses should be worn at all times while installing this product.

⚠️WARNING: Failure to adhere to exact torque specifications when securing hardware during the installation process can result in damage to the product or your vehicle. This will void the hitch warranty.

LEVEL OF DIFFICULTY: Easy

Installation difficulty levels are based on time and effort required. They will vary depending on the installer's expertise. Vehicle condition could be a factor in the level of difficulty for a proper installation.

WEIGHT CARRYING CAPACITY

Gross Trailer Weight (GTW)	6,000 lb
Tongue Weight (TW)	600 lb

WEIGHT DISTRIBUTION CAPACITY

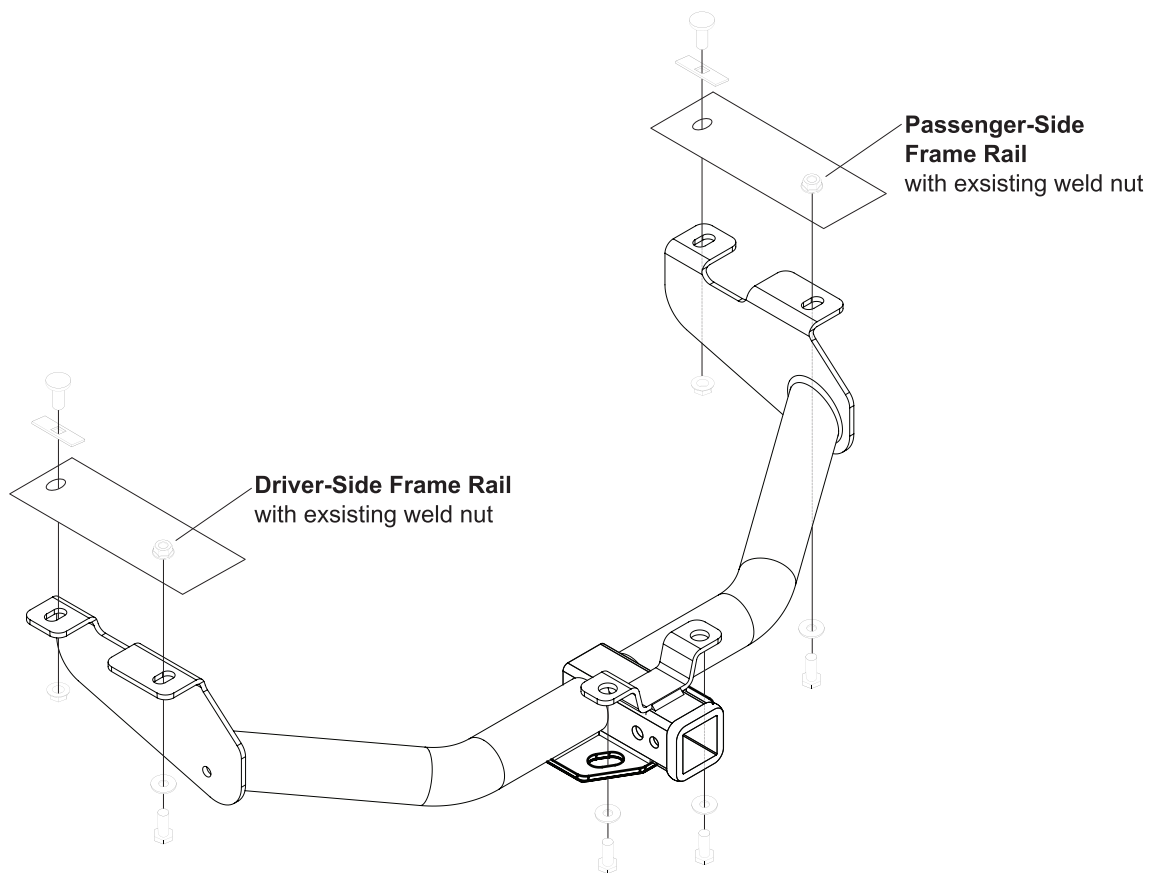
Weight Distribution (WD)	10,000 lb
WD Tongue Weight (WDTW)	1,000 lb

PARTS LIST

Item	Qty	Description
1	2	Bolt, Car, 1/2-13 UNC, 1-3/4, GRD8, YZ
2	2	.250 x 1.50 x 2.00" Square Hole Spacer
3	2	Nut, Ser-Flange, 1/2-13 UNC, GRD8, YZ
4	4	HHCS, M14x2, 40, CL10.9, YZ
5	4	Washer, S-Con, 9/16, YZ

TOOLS REQUIRED

Safety Glasses
Ratchet Wrench, 1/2"
Facia Trimming may be required on some models



INSTALLATION:

1. Lower spare tire and remove existing M14 hex bolts from each frame rail.
2. Raise hitch into position and secure bumper mount with M14 hex bolts and lock washers provided. (Keep bolts loose.)
3. Install M14 hardware in rear holes of hitch and install 1/2" carriage bolts, spacers, and flange nuts in remaining holes as indicated.
4. Torque rear M14 bolt first to 126 lb-ft and all 1/2" fasteners to 110 lb.-ft.
5. Reinstall spare tire if applicable.

IF YOU EXPERIENCE ANY PROBLEMS WITH YOUR TOWSMART PRODUCT, DO NOT RETURN THE UNIT TO THE RETAILER FROM WHICH IT WAS PURCHASED. INSTEAD, PLEASE CALL 1-844-295-9215 FOR ASSISTANCE WITH ANY PROBLEMS. WARRANTY INFORMATION IS AVAILABLE UPON REQUEST AND CAN BE FOUND ONLINE AT TOWSMART.COM.

©12/2023



CUSTOM

A Winston Products Company
TOWSMART.COM
WINSTON PRODUCTS, LLC.
30339 Diamond Parkway
Cleveland, OH 44139