

Hitch, 2" Receiver, Nissan Pathfinder, Infiniti QX60

INSTALLATION INSTRUCTIONS

READ ALL WARNINGS AND INSTRUCTIONS BEFORE INSTALLATION

⚠️ WARNING: Never exceed the vehicle manufacturer's recommended towing capacity.

NOTICE:

- Always use proper tools and safety equipment to ensure a safe and quality installation.
- Inspection of the trailer hitch should be performed before and after each use to ensure all mounting hardware is tight and related hitch components are secure.

⚠️ WARNING: Before you begin installation, read all instructions thoroughly.

⚠️ WARNING: Safety glasses should be worn at all times while installing this product.

⚠️ WARNING: Failure to adhere to exact torque specifications when securing hardware during the installation process can result in damage to the product or your vehicle. This will void the hitch warranty.

LEVEL OF DIFFICULTY: Easy

Installation difficulty levels are based on time and effort required. They will vary depending on the installer's expertise. Vehicle condition could be a factor in the level of difficulty for a proper installation.

WEIGHT CARRYING CAPACITY

Gross Trailer Weight (GTW)	4,000 lb
Tongue Weight (TW)	600 lb

WEIGHT DISTRIBUTION CAPACITY

Weight Distribution (WD)	5,000 lb
WD Tongue Weight (WDTW)	600 lb

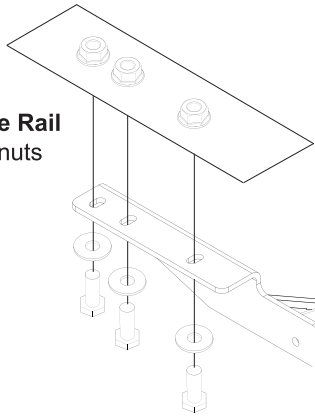
PARTS LIST

Item	Qty	Description
1	6	HHCS, M12 x 1.25, 30, CL10.9, YZ
2	6	Washer, S-CON, 1/2, YZ

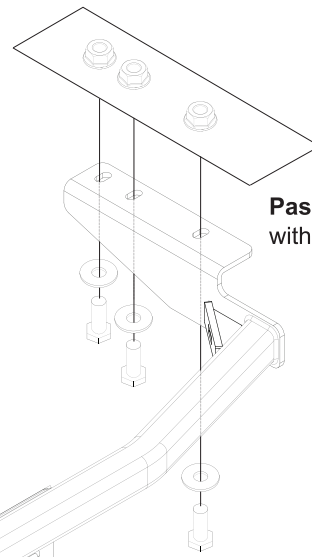
TOOLS REQUIRED

Safety Glasses
12mm Socket
18mm Socket
19mm Socket
21mm Socket
Torque Wrench
Ratchet

Driver-Side Frame Rail
with existing weld nuts



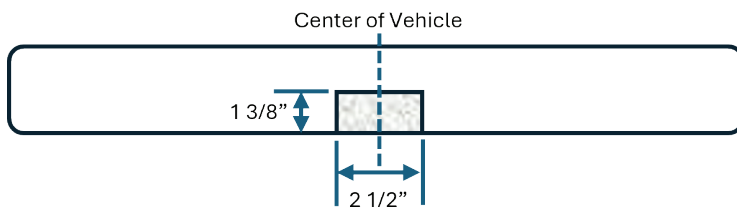
Passenger-Side Frame Rail
with existing weld nuts



INSTALLATION:

1. Remove tow hook from driver side frame rail and provide to vehicle owner.
2. Lower spare tire using tire lug wrench or ratchet using 21 mm socket.
3. Remove fascia mounting brackets, first by removing plastic clips on bottom of fascia and then unbolting brackets from bumper. Save for reinstallation after hitch installation.
4. Mark area as shown for fascia trimming, approximately 2 1/2 x 1 3/8 and trim fascia.
5. Raise hitch into position and secure with M12 x 1.25 x 30 mm hex bolts and 1/2 conical washers into existing weld nuts.
Torque all M12 fasteners to 86 ft-lbs.
6. Reinstall fascia mounting brackets.
7. Raise spare tire back into place.

REAR FACIA TRIMMING DIAGRAM



IF YOU EXPERIENCE ANY PROBLEMS WITH YOUR TOWSMART PRODUCT, DO NOT RETURN THE UNIT TO THE RETAILER FROM WHICH IT WAS PURCHASED. INSTEAD, PLEASE CALL 1-844-295-9215 FOR ASSISTANCE WITH ANY PROBLEMS. WARRANTY INFORMATION IS AVAILABLE UPON REQUEST AND CAN BE FOUND ONLINE AT TOWSMART.COM.



CUSTOM

A Winston Products Company
TOWSMART.COM
WINSTON PRODUCTS, LLC.
30339 Diamond Parkway
Cleveland, OH 44139