

Hitch, 2" Receiver, Lexus NX, Toyota RAV4

INSTALLATION INSTRUCTIONS

READ ALL WARNINGS AND INSTRUCTIONS BEFORE INSTALLATION

⚠️ WARNING: Never exceed the vehicle manufacturer's recommended towing capacity.

NOTICE:

- Always use proper tools and safety equipment to ensure a safe and quality installation.
- Inspection of the trailer hitch should be performed before and after each use to ensure all mounting hardware is tight and related hitch components are secure.

⚠️ WARNING: Before you begin installation, read all instructions thoroughly.

⚠️ WARNING: Safety glasses should be worn at all times while installing this product.

⚠️ WARNING: Failure to adhere to exact torque specifications when securing hardware during the installation process can result in damage to the product or your vehicle. This will void the hitch warranty.

LEVEL OF DIFFICULTY: Easy

Installation difficulty levels are based on time and effort required. They will vary depending on the installer's expertise. Vehicle condition could be a factor in the level of difficulty for a proper installation.

WEIGHT CARRYING CAPACITY

Gross Trailer Weight (GTW)	4,000 lb
Tongue Weight (TW)	600 lb

WEIGHT DISTRIBUTION CAPACITY

Weight Distribution (WD)	4,000 lb
WD Tongue Weight (WDTW)	600 lb

PARTS LIST

Item	Qty	Description
1	4	Conical External-Tooth Lock Washer, 1/2"
2	4	Hex Head Machine Screw, M12-1.25 x 35

TOOLS REQUIRED

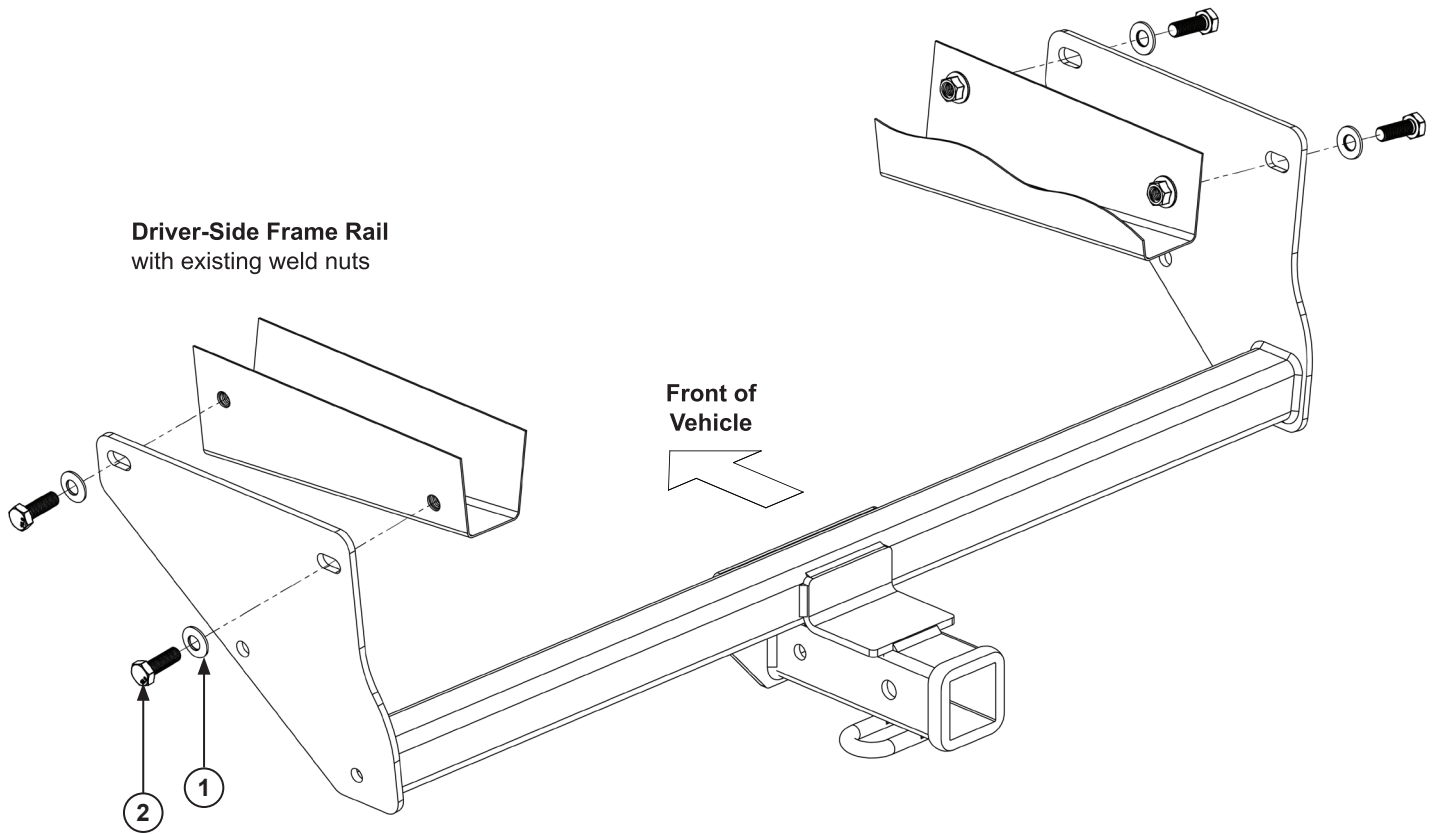
Safety Glasses
Ratchet
Ratchet Extension
Torque Wrench & Adapter
17mm Socket
19mm Socket

PARTS LIST

Item	Qty	Description
1	4	Conical External-Tooth Lock Washer, 1/2"
2	4	Hex Head Machine Screw, M12-1.25 x 35

Passenger-Side Frame Rail
with existing weld nuts

Driver-Side Frame Rail
with existing weld nuts



INSTALLATION:

1. If applicable, remove any stickers covering holes of the outside frame rails. If the tie down bracket is in place on the passenger side, remove it and provide it to the vehicle owner.
2. Lift the hitch into place and secure it loosely with the provided hardware. Torque all M12 bolts to 86 ft-lbs.

IF YOU EXPERIENCE ANY PROBLEMS WITH YOUR TOWSMART PRODUCT, DO NOT RETURN THE UNIT TO THE RETAILER FROM WHICH IT WAS PURCHASED. INSTEAD, PLEASE CALL 1-844-295-9215 FOR ASSISTANCE WITH ANY PROBLEMS. WARRANTY INFORMATION IS AVAILABLE UPON REQUEST AND CAN BE FOUND ONLINE AT TOWSMART.COM.

©05/2024



CUSTOM

A Winston Products Company
TOWSMART.COM
WINSTON PRODUCTS, LLC.
30339 Diamond Parkway
Cleveland, OH 44139