

Hitch, 2" Receiver, Toyota Tacoma

INSTALLATION INSTRUCTIONS

READ ALL WARNINGS AND INSTRUCTIONS BEFORE INSTALLATION

⚠️ WARNING: Never exceed the vehicle manufacturer's recommended towing capacity.

NOTICE:

- Always use proper tools and safety equipment to ensure a safe and quality installation.
- Inspection of the trailer hitch should be performed before and after each use to ensure all mounting hardware is tight and related hitch components are secure.

⚠️ WARNING: Before you begin installation, read all instructions thoroughly.

⚠️ WARNING: Safety glasses should be worn at all times while installing this product.

⚠️ WARNING: Failure to adhere to exact torque specifications when securing hardware during the installation process can result in damage to the product or your vehicle. This will void the hitch warranty.

LEVEL OF DIFFICULTY: Easy

Installation difficulty levels are based on time and effort required. They will vary depending on the installer's expertise. Vehicle condition could be a factor in the level of difficulty for a proper installation.

WEIGHT CARRYING CAPACITY

Gross Trailer Weight (GTW)	6,000 lb
Tongue Weight (TW)	900 lb

WEIGHT DISTRIBUTION CAPACITY

Weight Distribution (WD)	8,000 lb
WD Tongue Weight (WDTW)	900 lb

PARTS LIST

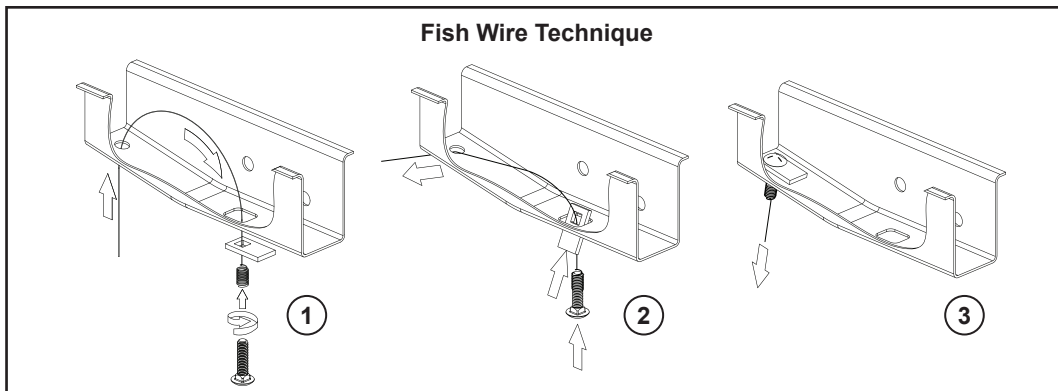
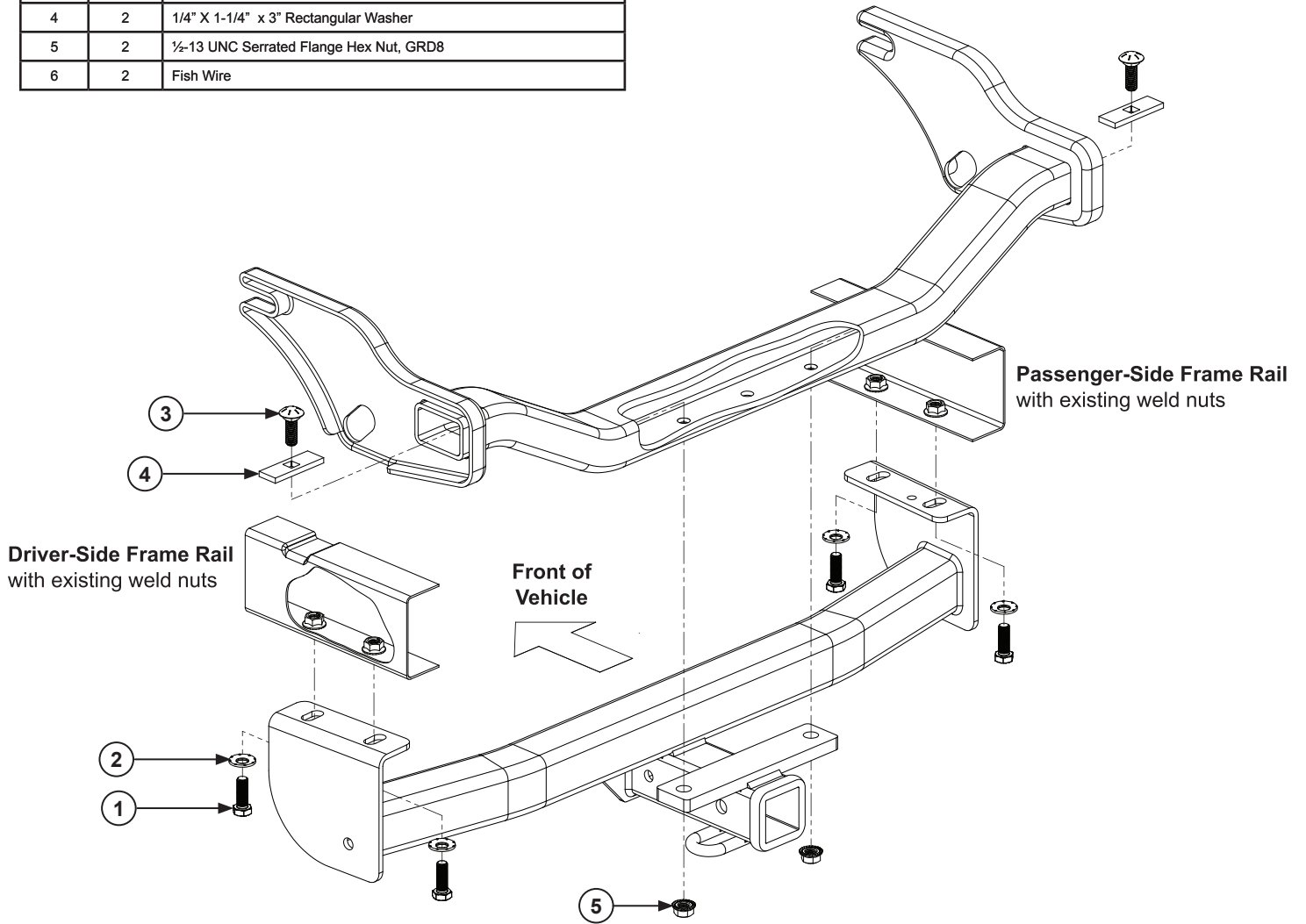
Item	Qty	Description
1	4	M12 x 1.25 X 40, CL10.9
2	4	1/2" Conical Toothed Washer
3	2	1/2-13 UNC x 1-3/4 Carriage Bolt, GRD8
4	2	1/4" X 1-1/4" x 3" Rectangular Washer
5	2	1/2-13 UNC Serrated Flange Hex Nut, GRD8
6	2	Fish Wire

TOOLS REQUIRED

Safety Glasses
Ratchet
Ratchet Extension 10"
Torque Wrench
19mm Socket
3/4 Socket

PARTS LIST

Item	Qty	Description
1	4	M12 x 1.25 X 40, CL10.9
2	4	1/2" Conical Toothed Washer
3	2	1/2-13 UNC x 1-3/4 Carriage Bolt, GRD8
4	2	1/4" X 1-1/4" x 3" Rectangular Washer
5	2	1/2-13 UNC Serrated Flange Hex Nut, GRD8
6	2	Fish Wire



IF YOU EXPERIENCE ANY PROBLEMS WITH YOUR TOWSMART PRODUCT, DO NOT RETURN THE UNIT TO THE RETAILER FROM WHICH IT WAS PURCHASED. INSTEAD, PLEASE CALL 1-844-295-9215 FOR ASSISTANCE WITH ANY PROBLEMS. WARRANTY INFORMATION IS AVAILABLE UPON REQUEST AND CAN BE FOUND ONLINE AT TOWSMART.COM.



CUSTOM

A Winston Products Company
TOWSMART.COM
WINSTON PRODUCTS, LLC.
30339 Diamond Parkway
Cleveland, OH 44139

INSTALLATION:

1. Fish wire 1/2" carriage bolts and spacers through ends of the bumper beam and out of each mounting hole as shown.
2. Lift hitch into position between bumper mount plates and align slots in the hitch with existing vehicle weld nuts among the frame rails. Install (4) M12-1.25 hex bolts and conical toothed washers into existing weld nuts.
3. Install (2) 1/2"-13 hex flange nuts onto carriage bolts.
4. Torque M12 fasteners to 86 ft-lbs and 1/2" fasteners to 110 ft-lbs.

FISH WIRE TECHNIQUE

1. Insert the coiled end of the fish wire tool through the mounting hole in the vehicle frame rail and out the access hole.
2. Thread the coiled end of the fish wire through the spacer and thread the bolt into the coil.
3. Kink the wire to keep the spacer separate from the bolt.
4. Pull the spacer and bolt through the frame and out the mounting hole.
5. Keep the fish wire secure to prevent loss of the bolt or spacer inside the frame rail.

IF YOU EXPERIENCE ANY PROBLEMS WITH YOUR TOWSMART PRODUCT, DO NOT RETURN THE UNIT TO THE RETAILER FROM WHICH IT WAS PURCHASED. INSTEAD, PLEASE CALL 1-844-295-9215 FOR ASSISTANCE WITH ANY PROBLEMS. WARRANTY INFORMATION IS AVAILABLE UPON REQUEST AND CAN BE FOUND ONLINE AT TOWSMART.COM.

©05/2024



CUSTOM

A Winston Products Company
TOWSMART.COM
WINSTON PRODUCTS, LLC.
30339 Diamond Parkway
Cleveland, OH 44139