

## Hitch, 2" Receiver, Chevrolet Terrain, Equinox

### INSTALLATION INSTRUCTIONS

**READ ALL WARNINGS AND INSTRUCTIONS BEFORE INSTALLATION**

**⚠ WARNING:** Never exceed the vehicle manufacturer's recommended towing capacity.

**NOTICE:**

- Always use proper tools and safety equipment to ensure a safe and quality installation.
- Inspection of the trailer hitch should be performed before and after each use to ensure all mounting hardware is tight and related hitch components are secure.

**⚠ WARNING:** Before you begin installation, read all instructions thoroughly.

**⚠ WARNING:** Safety glasses should be worn at all times while installing this product.

**⚠ WARNING:** Failure to adhere to exact torque specifications when securing hardware during the installation process can result in damage to the product or your vehicle. This will void the hitch warranty.

**LEVEL OF DIFFICULTY:** Easy

Installation difficulty levels are based on time and effort required. They will vary depending on the installer's expertise. Vehicle condition could be a factor in the level of difficulty for a proper installation.

**WEIGHT CARRYING CAPACITY**

Gross Trailer Weight (GTW)	4,500 lb
Tongue Weight (TW)	675 lb

**WEIGHT DISTRIBUTION CAPACITY**

Weight Distribution (WD)	4,500 lb
WD Tongue Weight (WDTW)	675 lb

**PARTS LIST**

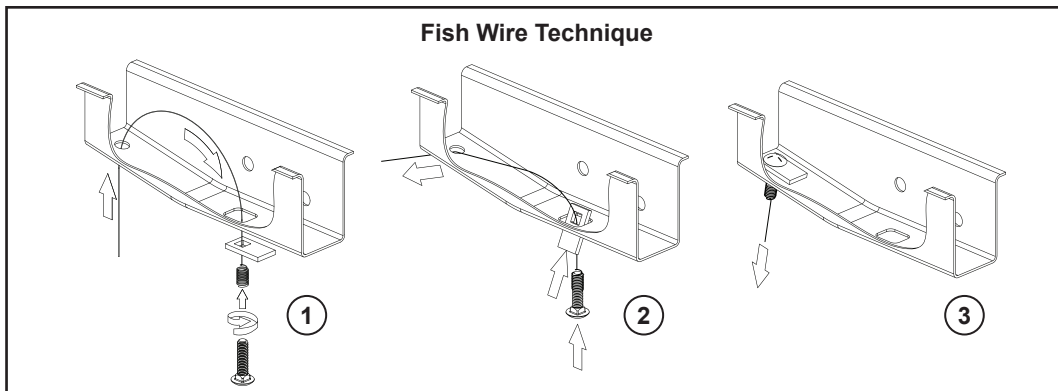
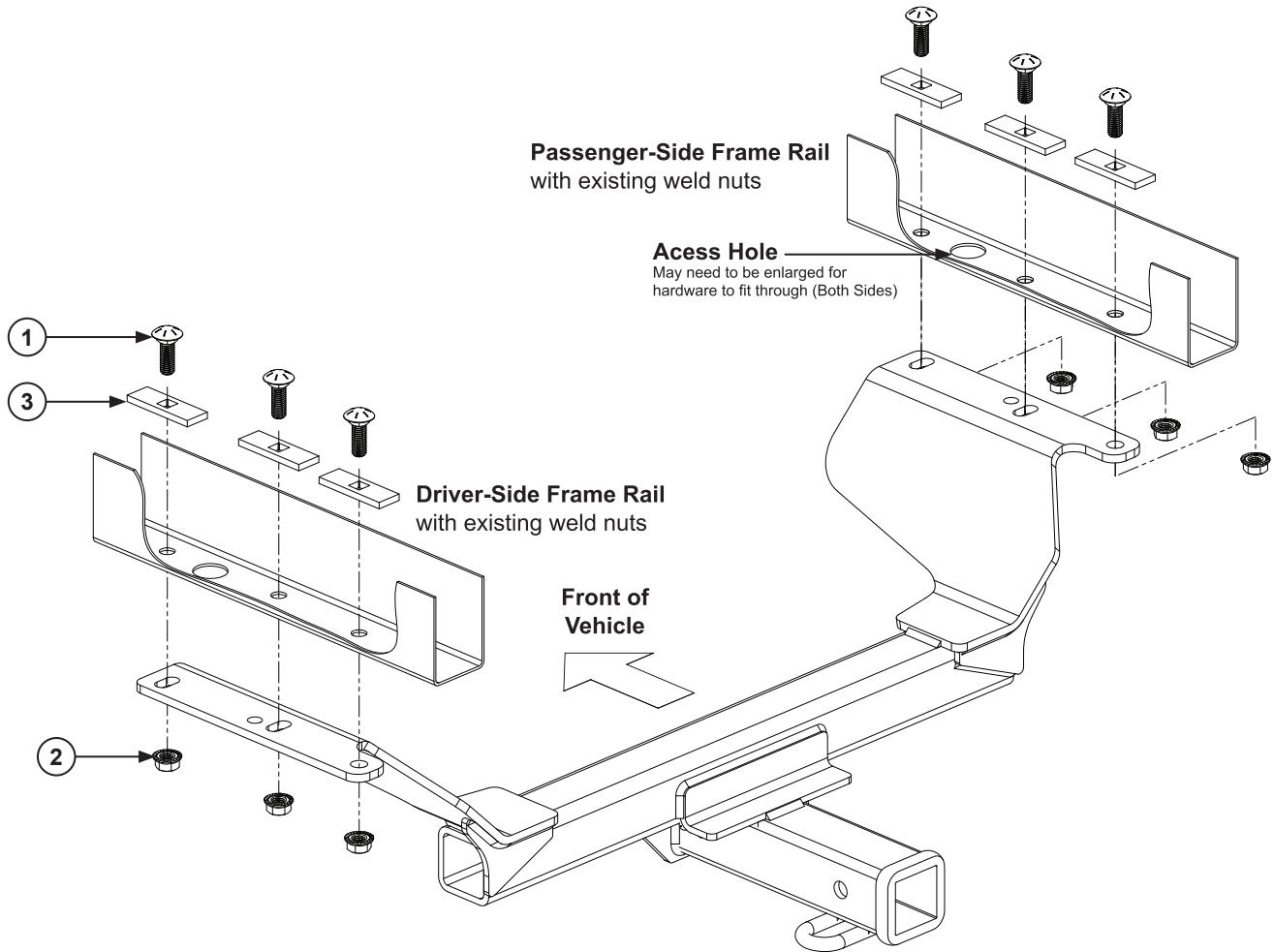
Item	Qty	Description
1	6	Carriage Bolt, 1/2-13 UNC, 1-1/2, GRD8, YZ
2	6	Flange Nut, 1/2-13 UNC, GRD8, YZ
3	6	.250 x 1.00 x 3.00" Square Spacer
4	6	1/2" Fish Wire

**TOOLS REQUIRED**

Ratchet
Ratchet Extension 6"
Torque Wrench
15mm Socket
3/4 Socket
Safety Glasses
T15 Torxbit Socket
Prybar

## PARTS LIST

Item	Qty	Description
1	6	Carriage Bolt, 1/2-13 UNC, 1-1/2, GRD8, YZ
2	6	Flange Nut, 1/2-13 UNC, GRD8, YZ
3	6	.250 x 1.00 x 3.00" Square Spacer
4	6	1/2" Fish Wire



IF YOU EXPERIENCE ANY PROBLEMS WITH YOUR TOWSMART PRODUCT, DO NOT RETURN THE UNIT TO THE RETAILER FROM WHICH IT WAS PURCHASED. INSTEAD, PLEASE CALL 1-844-295-9215 FOR ASSISTANCE WITH ANY PROBLEMS. WARRANTY INFORMATION IS AVAILABLE UPON REQUEST AND CAN BE FOUND ONLINE AT TOWSMART.COM.



**CUSTOM**

A Winston Products Company  
 TOWSMART.COM  
 WINSTON PRODUCTS, LLC.  
 30339 Diamond Parkway  
 Cleveland, OH 44139

**INSTALLATION:**

1. Remove the (2) torx screws from the rear fascia and set aside.
2. Lower the exhaust by removing the (4) bolts from each of the rear exhaust hanger brackets using a 15mm socket.
3. Finally, lower the exhaust by removing the exhaust rubber isolator in front of the muffler.

**NOTICE:** Ensure the exhaust system is supported to prevent damage.

If necessary, enlarge the access holes slightly on both the driver and passenger side frame rails to allow the hardware to fit.

4. Fishwire 1-1/2" carriage bolt and 1 spacer into each of the three mounting holes in both frame rails.
5. Lift hitch into position and secure the hitch to the vehicle using the 6-1/2" hex flange nuts provided.
6. Torque the 1/2" hardware to 110 ft-lbs. Reinstall exhaust and fascia screws from Step 1.

IF YOU EXPERIENCE ANY PROBLEMS WITH YOUR TOWSMART PRODUCT, DO NOT RETURN THE UNIT TO THE RETAILER FROM WHICH IT WAS PURCHASED. INSTEAD, PLEASE CALL 1-844-295-9215 FOR ASSISTANCE WITH ANY PROBLEMS. WARRANTY INFORMATION IS AVAILABLE UPON REQUEST AND CAN BE FOUND ONLINE AT [TOWSMART.COM](http://TOWSMART.COM).

©05/2024



**CUSTOM**

A Winston Products Company  
[TOWSMART.COM](http://TOWSMART.COM)  
WINSTON PRODUCTS, LLC.  
30339 Diamond Parkway  
Cleveland, OH 44139