

**TOWSMART Part Number: 2060**

ORIS Part Number: 200874

Instrucciones de montaje — Instruction de montage — Fitting instruction

## BMW X5 (G05)

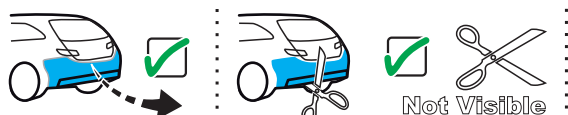
2018 -



**X X5 M**

## BMW X6 (G06)

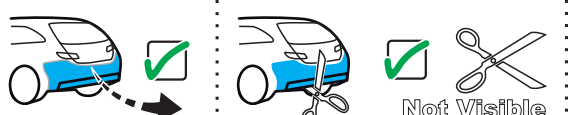
2019 -



**X X6 M**

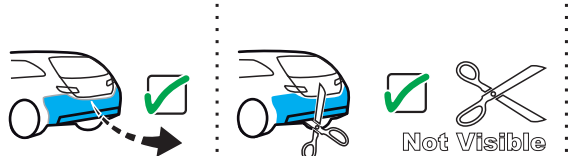
## BMW X7 (G07)

2019 -



## BMW XM (G09)

2022 -



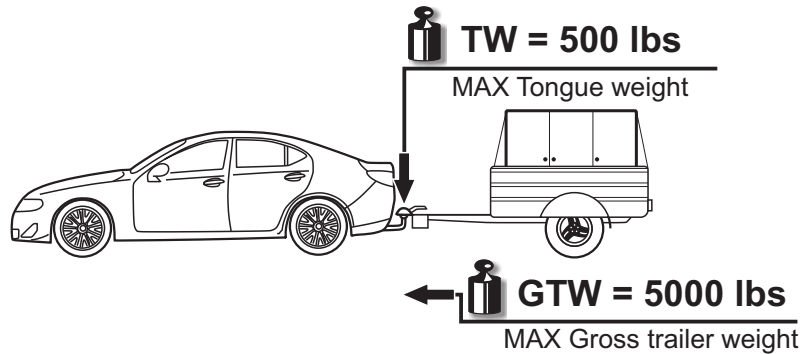
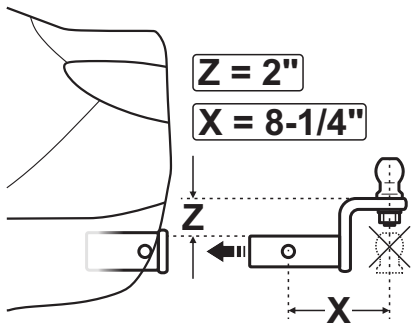
Check our webpage for the latest and a full-color copy of this fitting instruction.

[www.oris-automotive.com/en/](http://www.oris-automotive.com/en/)

Version: 02  
Date: 16-09-2024



**THESE INSTRUCTIONS MUST BE GIVEN TO THE END USER**



**Never exceed the vehicle or the hitch manufacturer's recommended towing capacity and tongue weight.**



### **IMPORTANT SAFETY NOTICE FOR HITCH INSTALLERS AND CUSTOMERS**

Read all installation, operating and safety instructions along with all labels before installing or using this product. Failure to comply with the safety information could result in serious injury or death.



[www.oris-automotive.com/en/safety/](http://www.oris-automotive.com/en/safety/)



**WARNING:** This product can expose you to chemicals including carbon black, which is known to the State of California to cause cancer. For more information go to [www.P65Warnings.ca.gov](http://www.P65Warnings.ca.gov)



**WARNING:** Do not perform any installation or towing procedures without fully understanding the correct tools and actions for all steps. Call for support if needed.



[www.oris-automotive.com/en/acps-automotive-aftermarket-worldwide/](http://www.oris-automotive.com/en/acps-automotive-aftermarket-worldwide/)

## Legend / Légende / Leyenda



US Attention  
F Attention  
E Atención



US Incorrect  
F Incorrect  
E Incorrecto



US Correct  
F Correct  
E Correcto



US Inspect  
F Examiner  
E Revise



US In both sides  
F Tous les deux côtés  
E En ambos lados



US Manually  
F À la main  
E A mano



US Only 2 persons may carry out  
F Toujours s'y mettre de deux  
E Operación que requiere dos personas



US Remove  
F Rebuter  
E Tratamiento de residuos



US Location/Position Arrow  
F Flèche de Position  
E Flecha de posición



US Movement Arrow  
F Flèche de mouvement  
E Flecha de movimiento

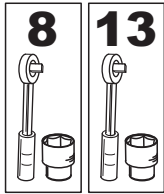


US Protect it against corrosion  
F Protéger contre la corrosion  
E Proteger contra la corrosión

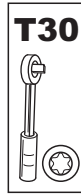


US Electrical connection  
F Connexion électrique  
E Conexión eléctrica

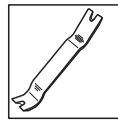
## Tools Required / Outils requis / Herramientas requeridas



RATCHET WITH SOCKET



TORX



PLASTIC PRY



TORQUE WRENCH WITH SOCKET 10, 17, 19

## Safety / Sécurité / Seguridad

Should be worn at all times while installing this product.

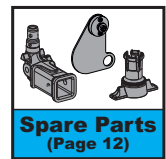
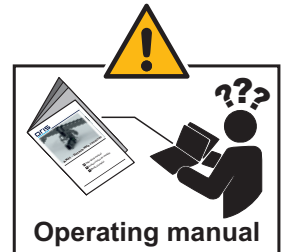
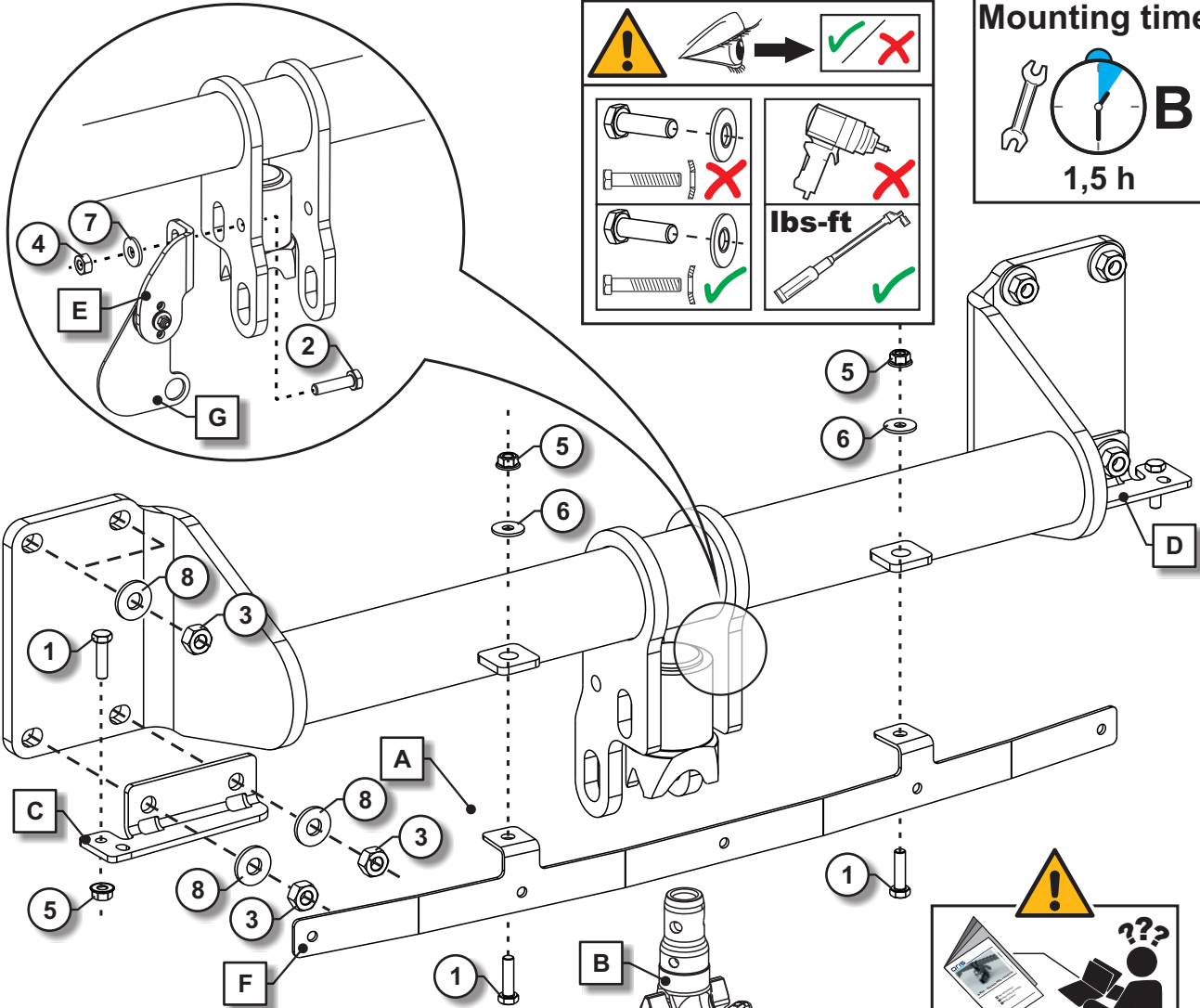
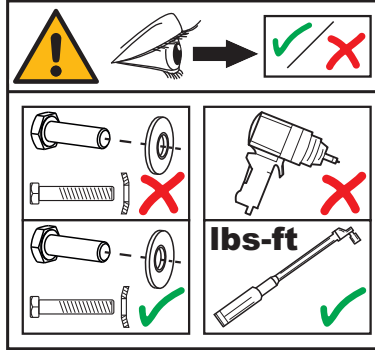
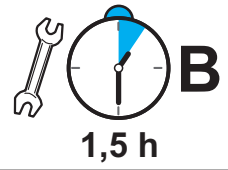
Il doit être porté en permanence lors de l'installation de ce produit.

Debe llevarse en todo momento mientras se instala este producto.



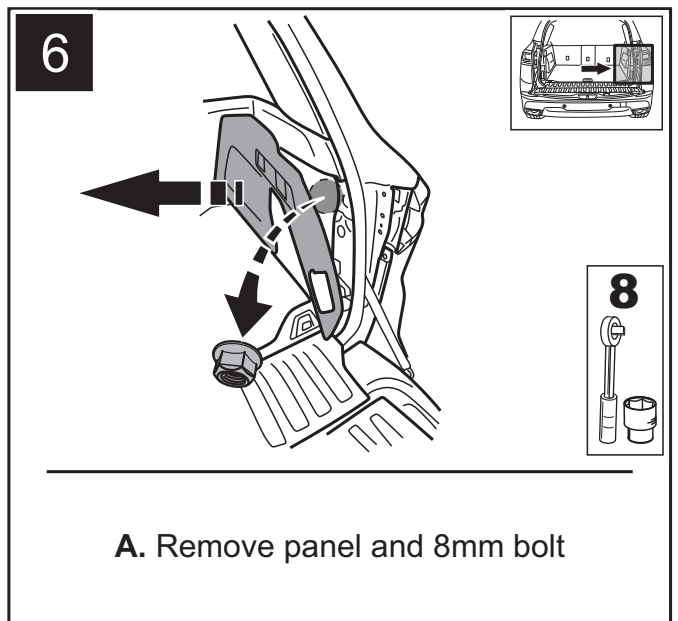
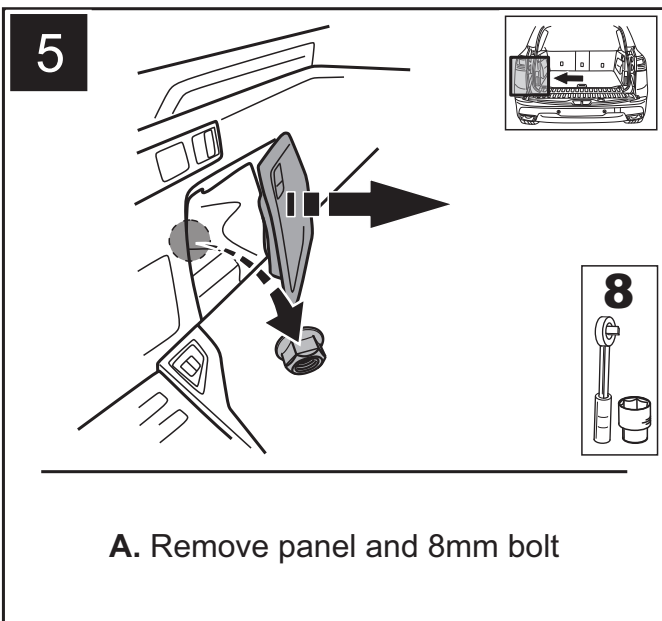
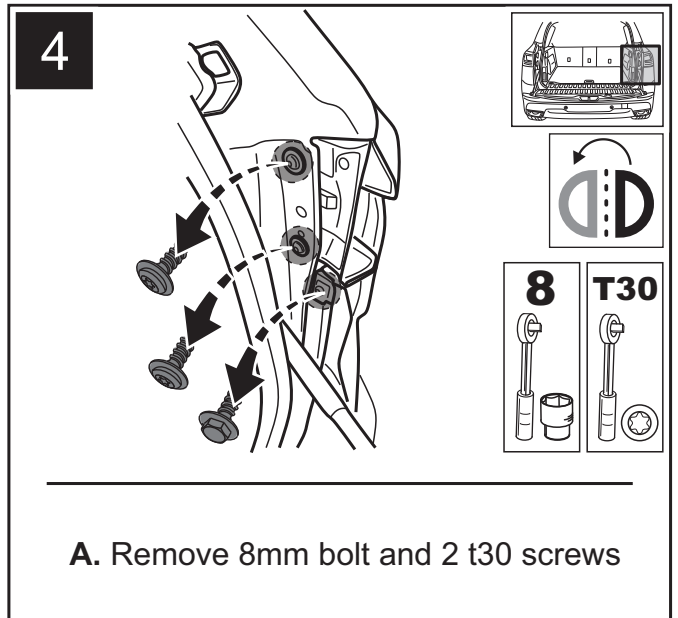
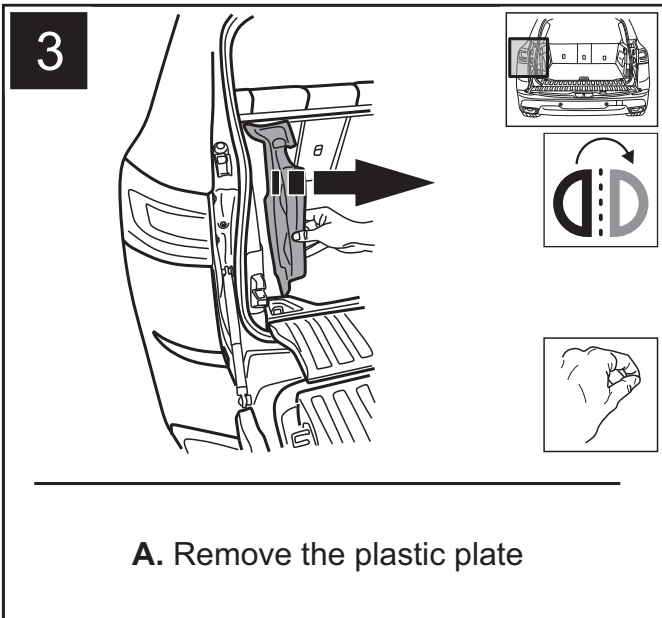
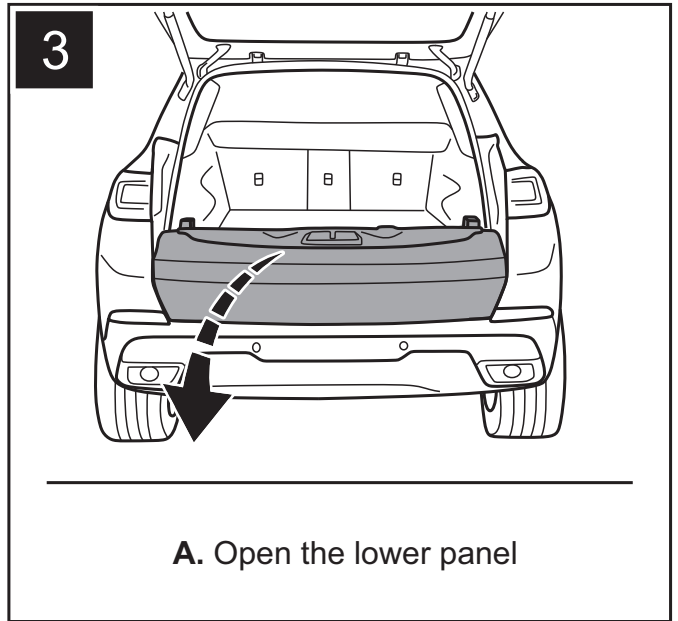
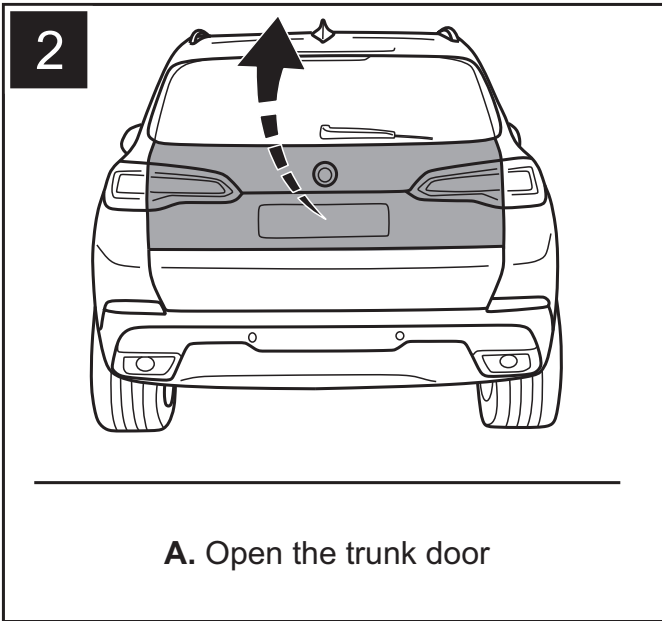
# Assembly / Assemblage / Montaje

Mounting time



A		1x
B		1x
C		1x
D		1x
E		1x
F		1x
G		1x

1		M8x30	10.9	4x	25 lbs-ft
2		M10x40	10.9	1x	50 lbs-ft
3		M12x1,5	10	8x	90 lbs-ft
4		M10	10	1x	50 lbs-ft
5		M8	10	4x	25 lbs-ft
6		M8		2x	
7		10x27x2,8		1x	
8		13x30x3,2		8x	



**7**

**A. Remove tail lights**

**8**

**A. Remove reflectors and 8mm bolt each side**

**9**

**A. Remove 20 8 mm bolts from underside of car**

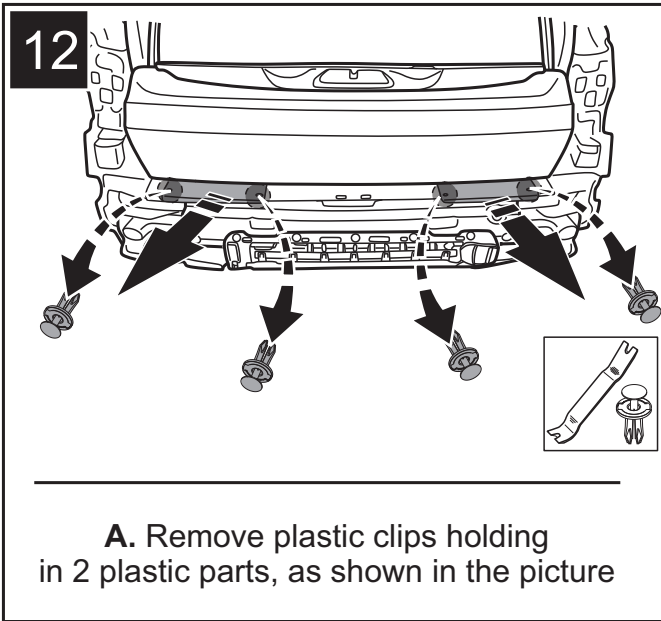
**10**

**A. Remove wheel arch and 1 8mm bolt each side**

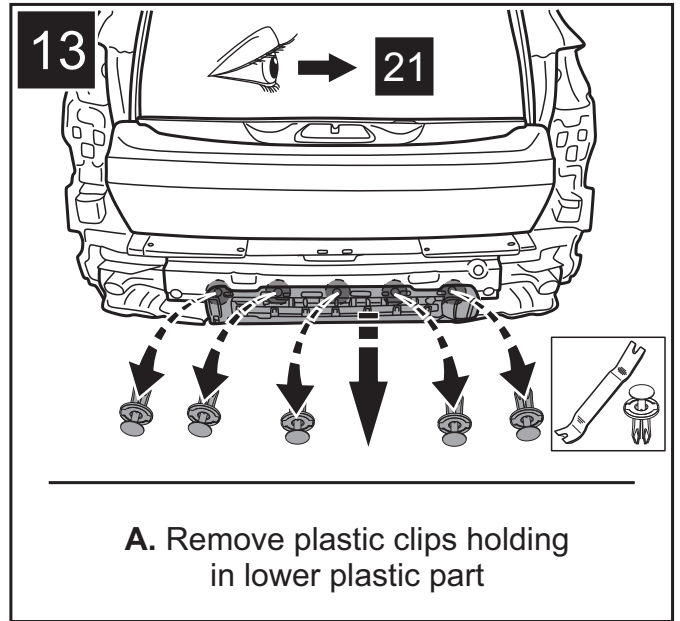
**11**

**A. Remove bumper**

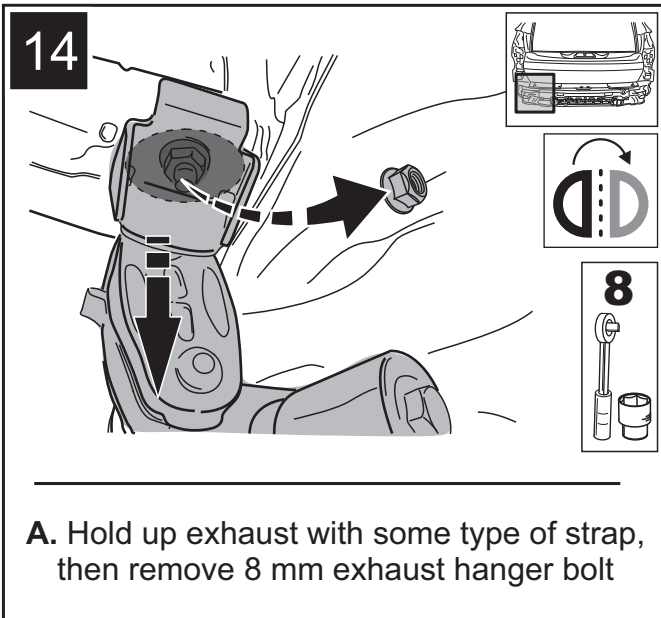




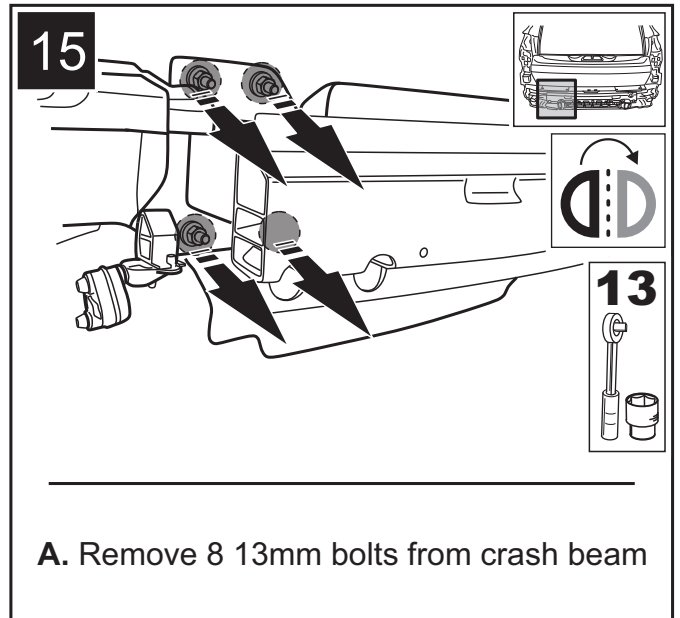
**A.** Remove plastic clips holding in 2 plastic parts, as shown in the picture



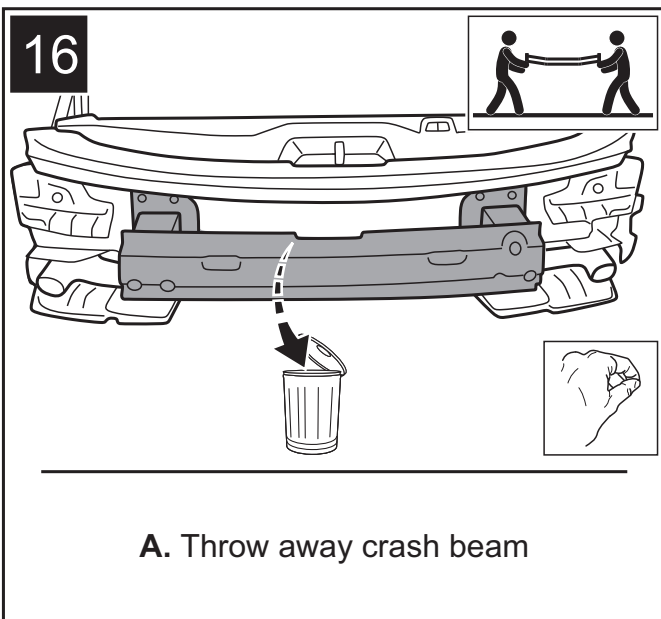
**A.** Remove plastic clips holding in lower plastic part



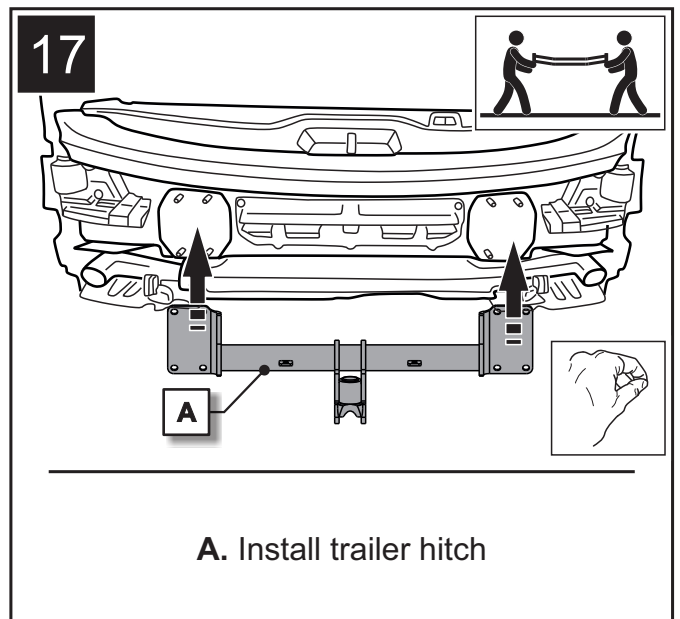
**A.** Hold up exhaust with some type of strap, then remove 8 mm exhaust hanger bolt



**A.** Remove 8 13mm bolts from crash beam



**A.** Throw away crash beam



**A.** Install trailer hitch

**18**

**A.** Assemble the trailer hitch, as shown in the picture (start by just hand tightening everything together)

**19**

**A.** Fit the exhaust with the bolts on both sides. (loosely tighten by hand)

**20**

**A.** Install the accessory using the bolts indicated (loosely tighten by hand)

**21**

M6

Steel (Ø18x6,4x1,6)

Nylon (Ø18x6,4x1,6)

A Segment

B Segment

M6x30

**2 lbs-ft**

**A.** Assemble socket plate and tighten to specifications provided (this is an optional socket plate for wiring harness)

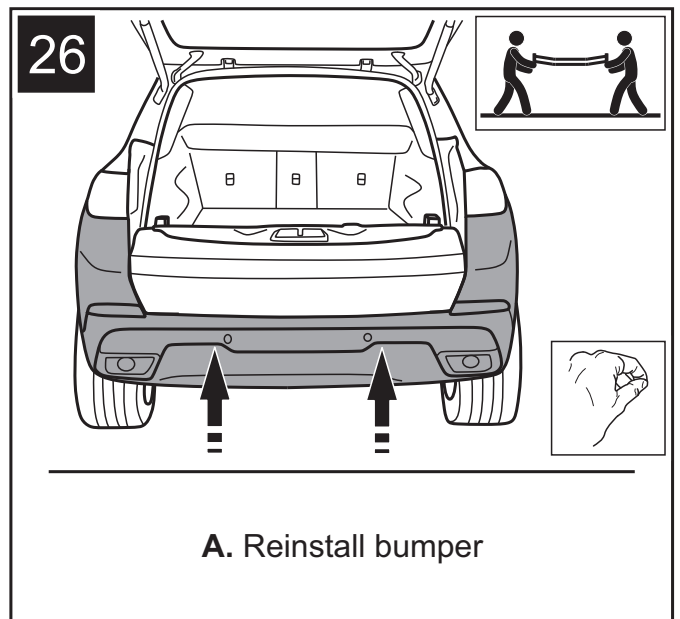
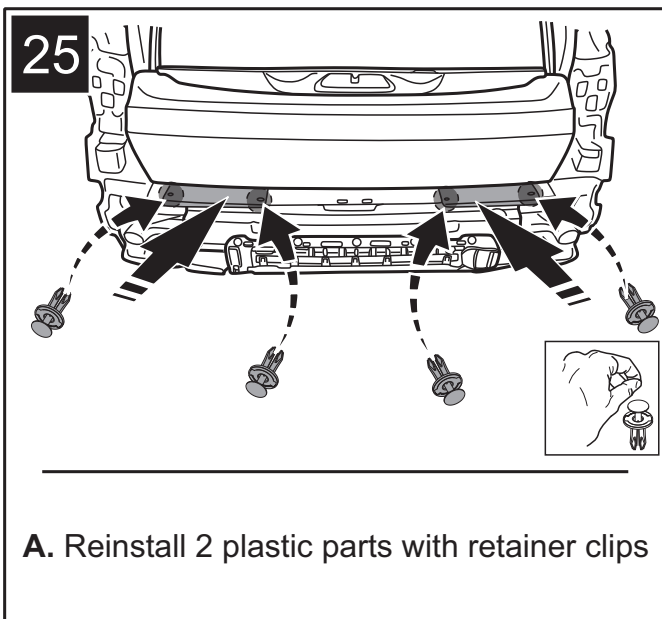
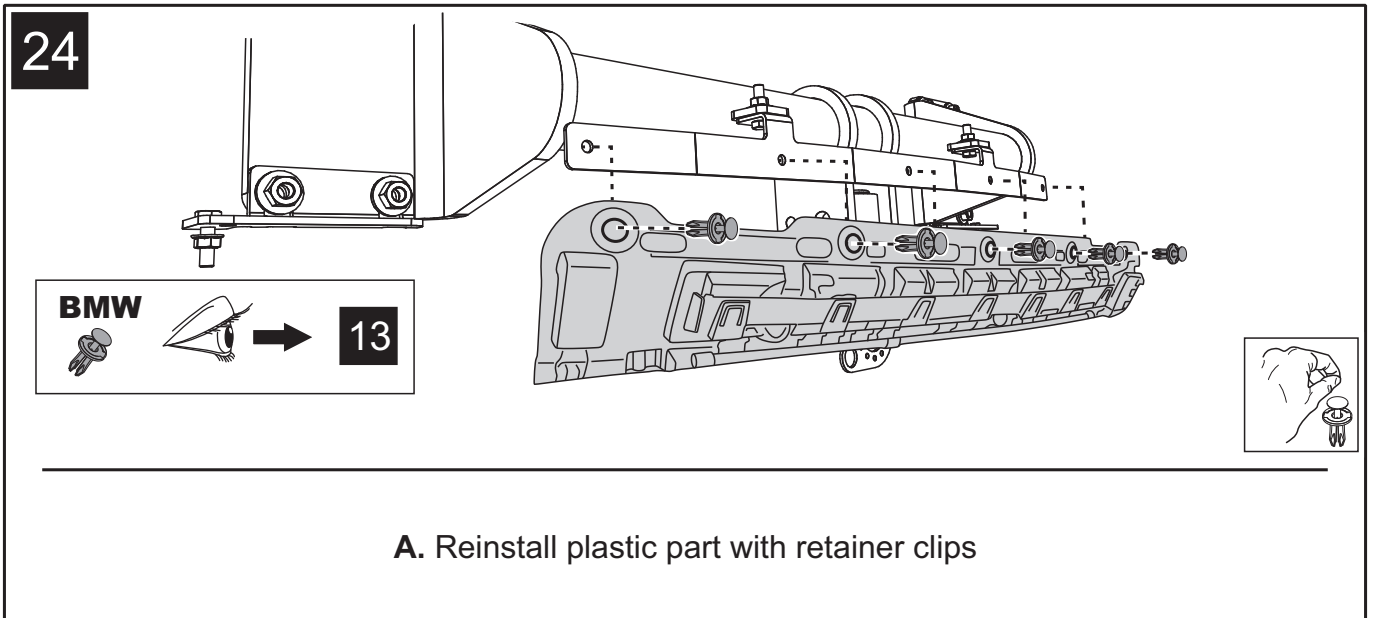
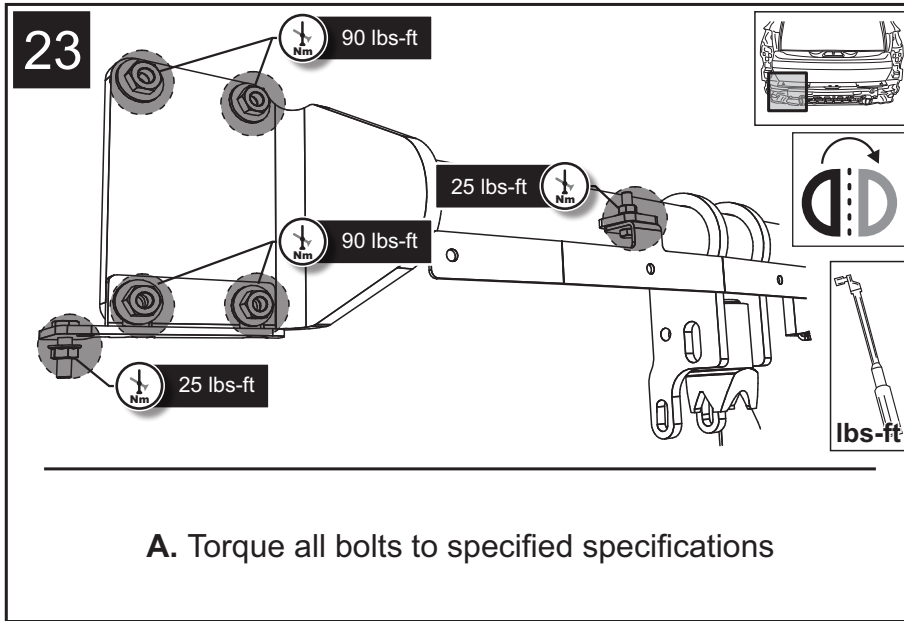
**22**

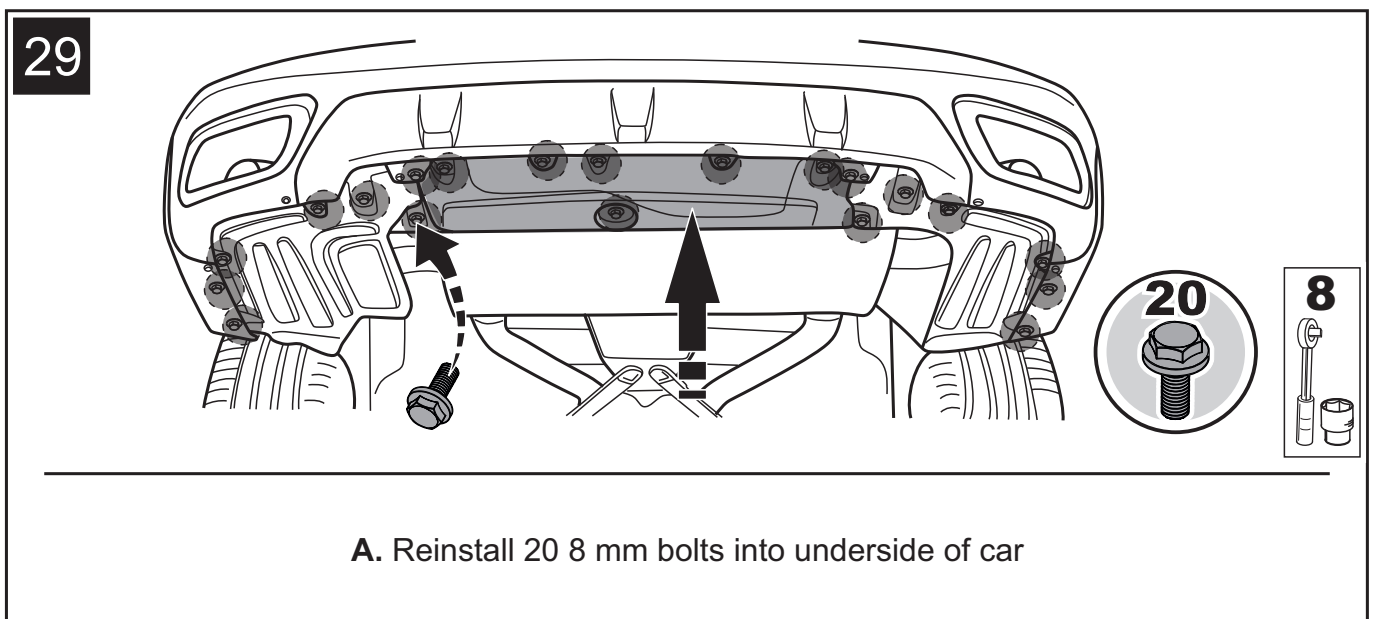
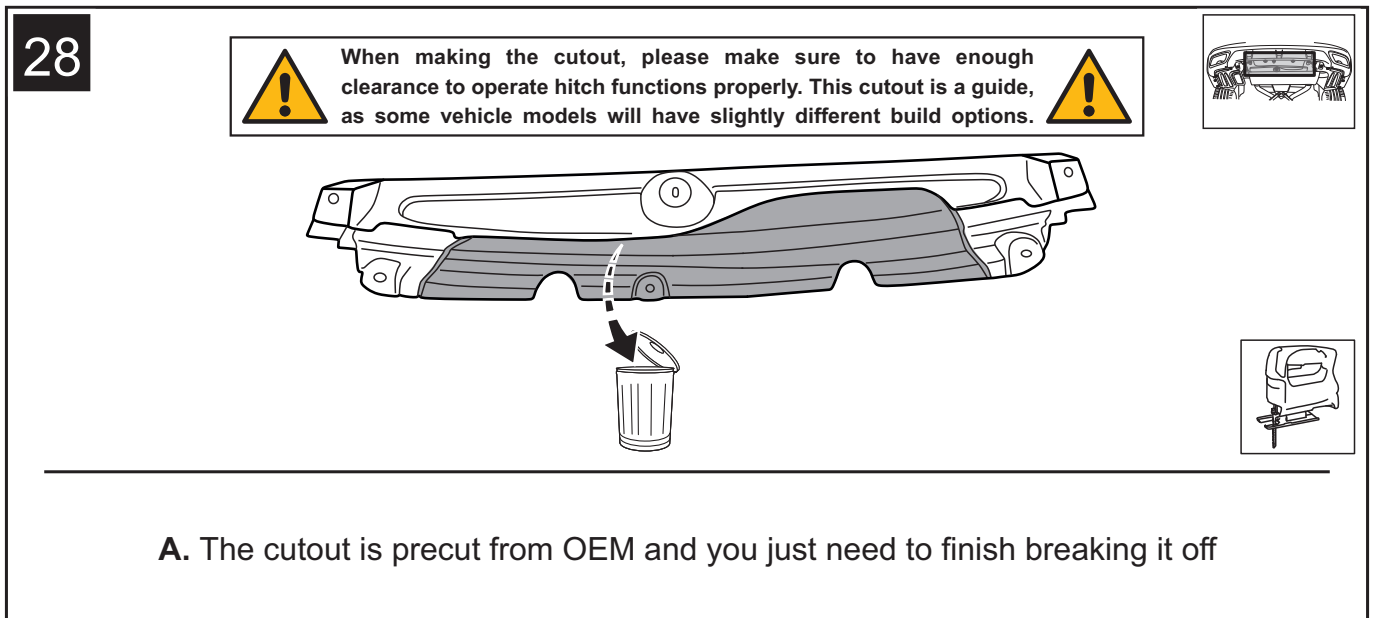
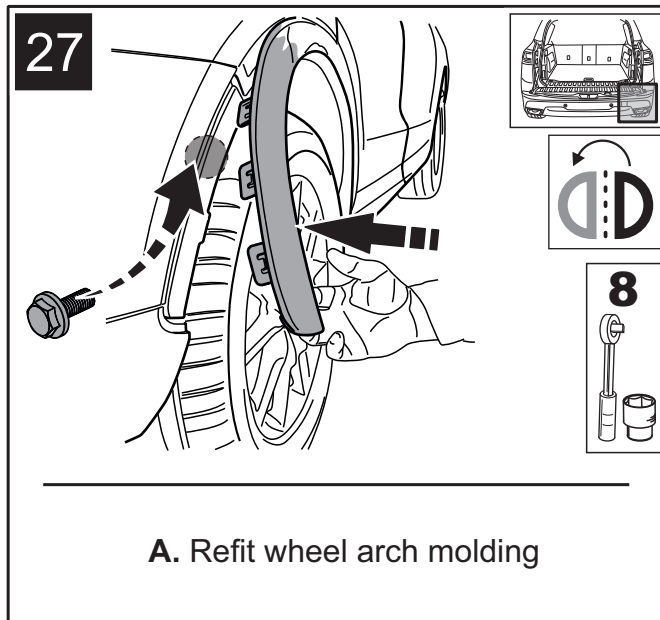
**50 ft-lbs**

**lbs-ft**

**A.** The marked accessory is an optional plate for the wiring harness. Attach as instructed.







**30**

**A. Reinstall reflectors and 8mm bolt each side**

**31**

**A. Reinstall tail lights**

**32**

**A. Reinstall panel and 8mm bolt from the side of the boot.**

**33**

**A. Reinstall panel and 8mm bolt on the other side as well**

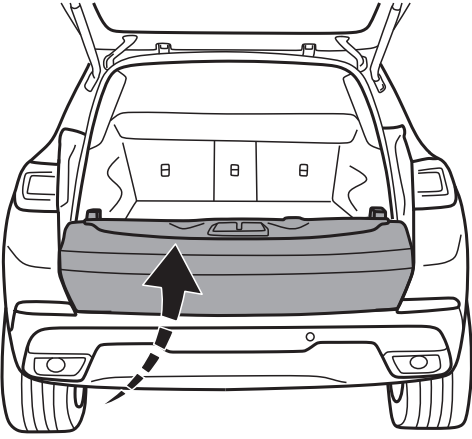
**34**

**A. Reinstall 8mm bolt and 2 t30 screws**

**35**

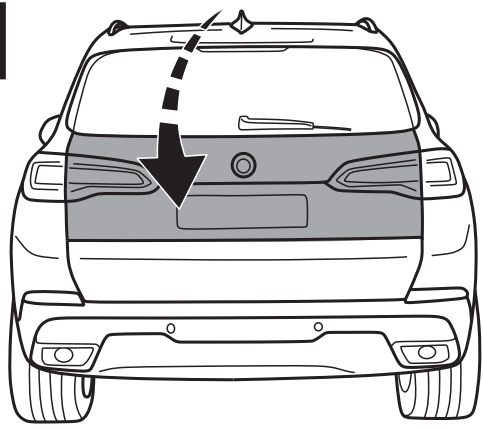
**A. Reinstall the plastic plate**

36



A. Close the lower panel

37



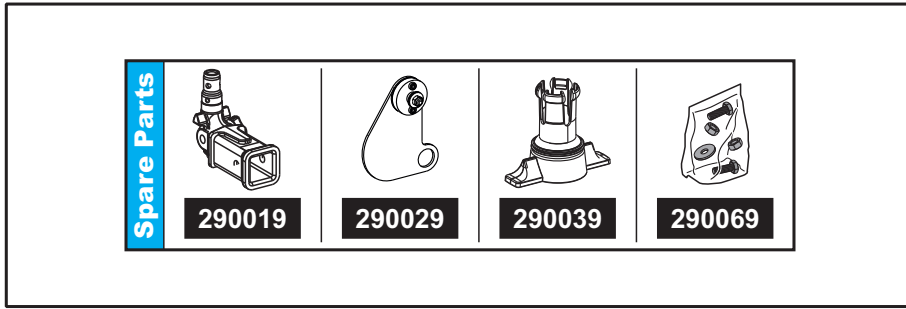
A. Close the trunk door











**ORIS**  
ACPS

**HELPLINE**



[www.oris-automotive.com/en/acps-automotive-aftermarket-worldwide](http://www.oris-automotive.com/en/acps-automotive-aftermarket-worldwide)

**ORIS**  
ACPS