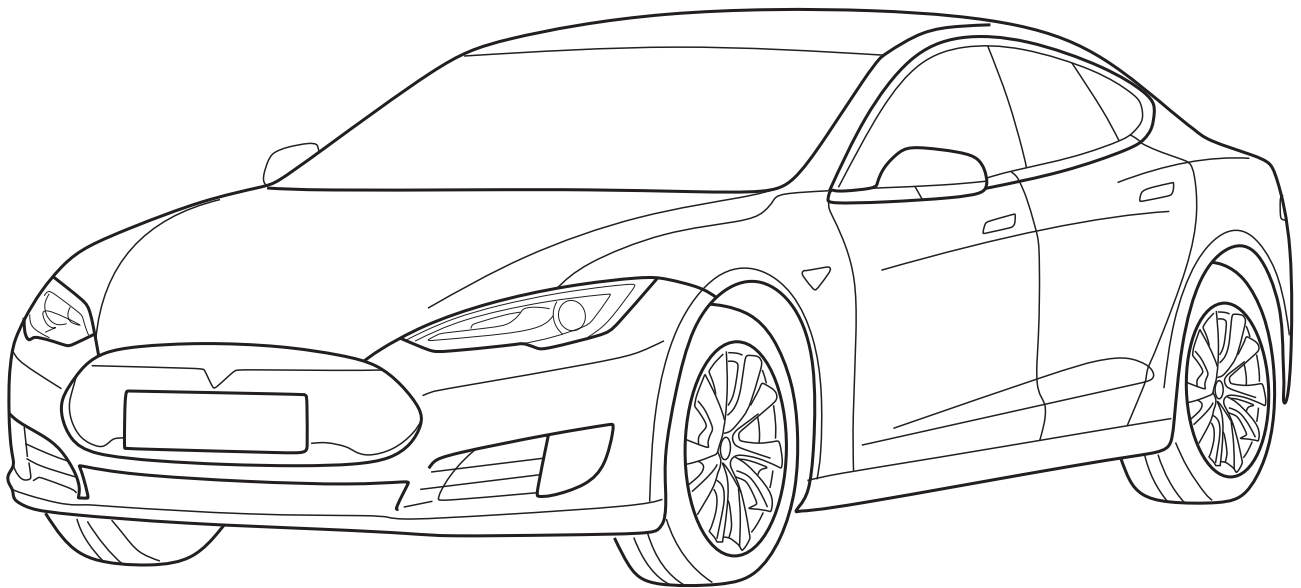
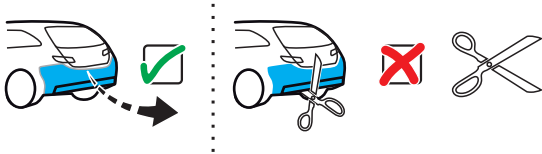


TOWSMART Part Number: 2071

ORIS Part Number: 200896

Tesla Model S

2021 -



Instrucciones de montaje — Instruction de montage — Fitting instruction



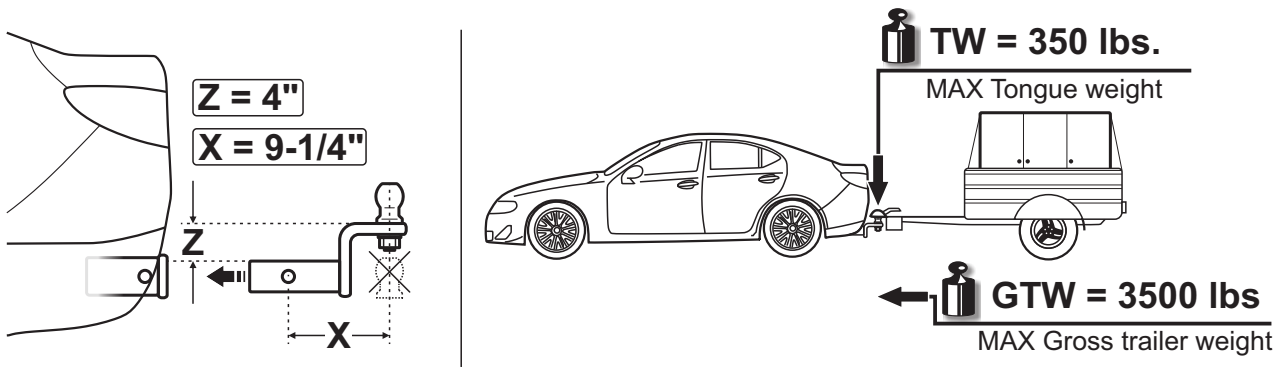
Check our webpage for the latest and a full-color copy of this fitting instruction.

www.oris-automotive.com/en/

Version: 03
Date: 04-09-2024



THESE INSTRUCTIONS MUST BE GIVEN TO THE END USER



Never exceed the vehicle or the hitch manufacturer's recommended towing capacity and tongue weight.



IMPORTANT SAFETY NOTICE FOR HITCH INSTALLERS AND CUSTOMERS

Read all installation, operating and safety instructions along with all labels before installing or using this product. Failure to comply with the safety information could result in serious injury or death.



www.oris-automotive.com/en/safety/



WARNING: This product can expose you to chemicals including carbon black, which is known to the State of California to cause cancer. For more information go to www.P65Warnings.ca.gov



WARNING: Do not perform any installation or towing procedures without fully understanding the correct tools and actions for all steps. Call for support if needed.



www.oris-automotive.com/en/acps-automotive-aftermarket-worldwide/

Legend / Légende / Leyenda



US Attention
F Attention
E Atención



US Incorrect
F Incorrect
E Incorrecto



US Correct
F Correct
E Correcto



US Inspect
F Examiner
E Revise



US In both sides
F Tous les deux côtés
E En ambos lados



US Manually
F À la main
E A mano



US Only 2 persons may carry out
F Toujours s'y mettre de deux
E Operación que requiere dos personas



US Remove
F Rebuter
E Tratamiento de residuos



US Location/Position Arrow
F Flèche de Position
E Flecha de posición



US Movement Arrow
F Flèche de mouvement
E Flecha de movimiento

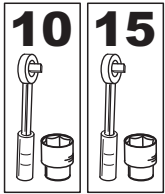


US Protect it against corrosion
F Protéger contre la corrosion
E Proteger contra la corrosión

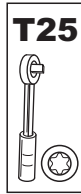


US Electrical connection
F Connexion électrique
E Conexión eléctrica

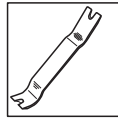
Tools Required / Outils requis / Herramientas requeridas



RATCHET WITH SOCKET



TORX



PLASTIC PRY



TORQUE WRENCH WITH SOCKET 15

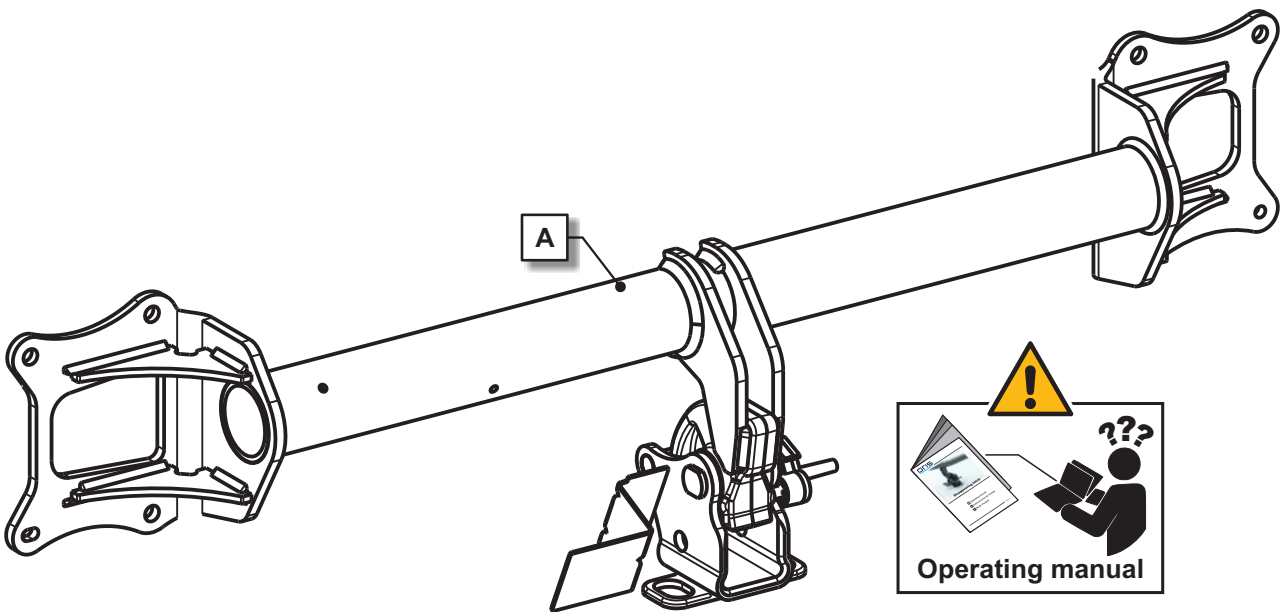
Safety / Sécurité / Seguridad

Should be worn at all times while installing this product.

Il doit être porté en permanence lors de l'installation de ce produit.

Debe llevarse en todo momento mientras se instala este producto.



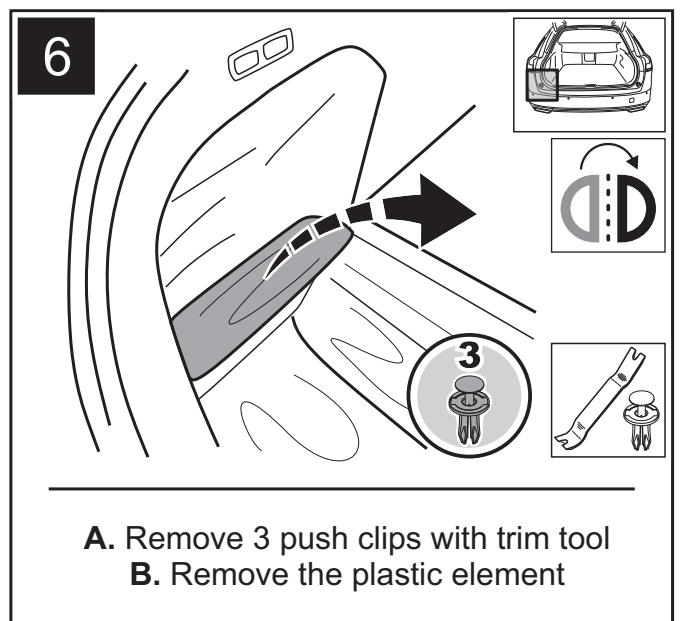
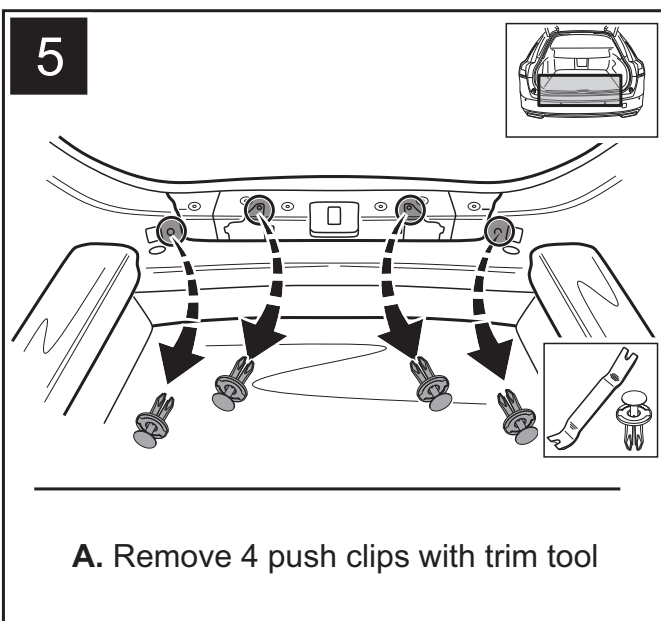
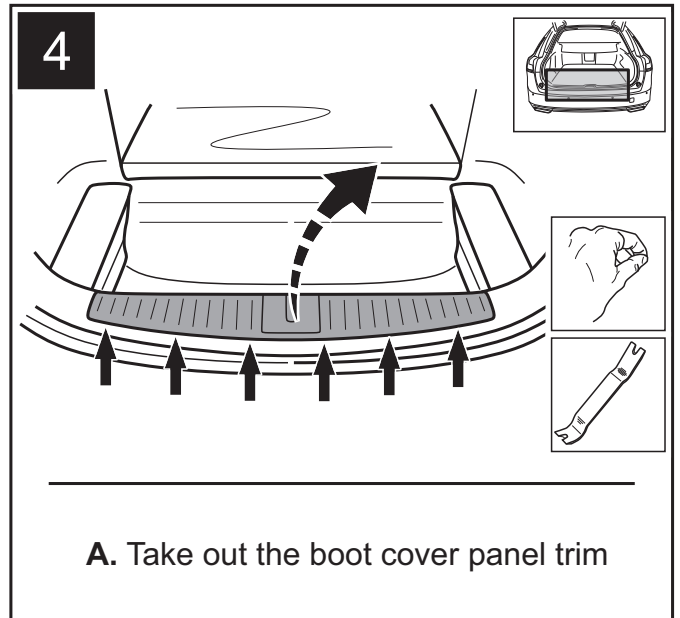
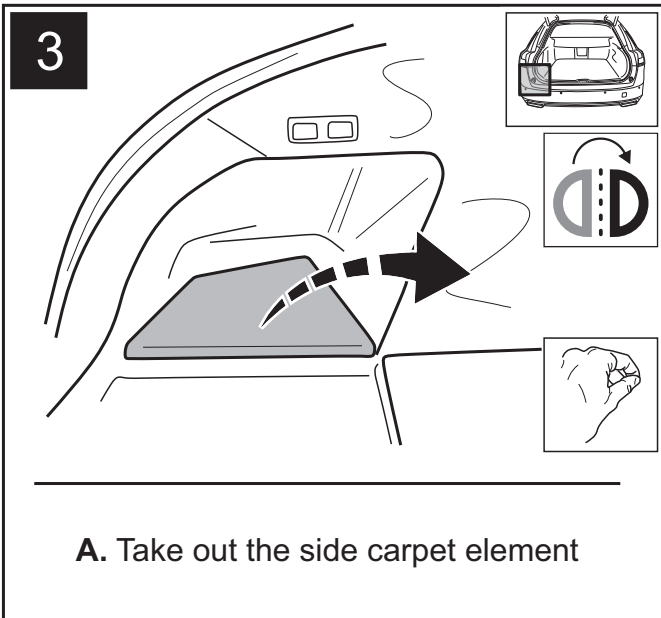
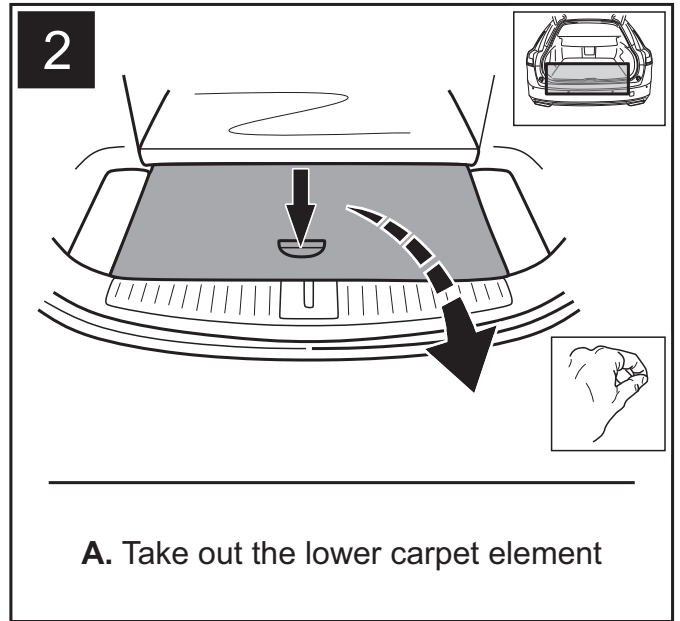
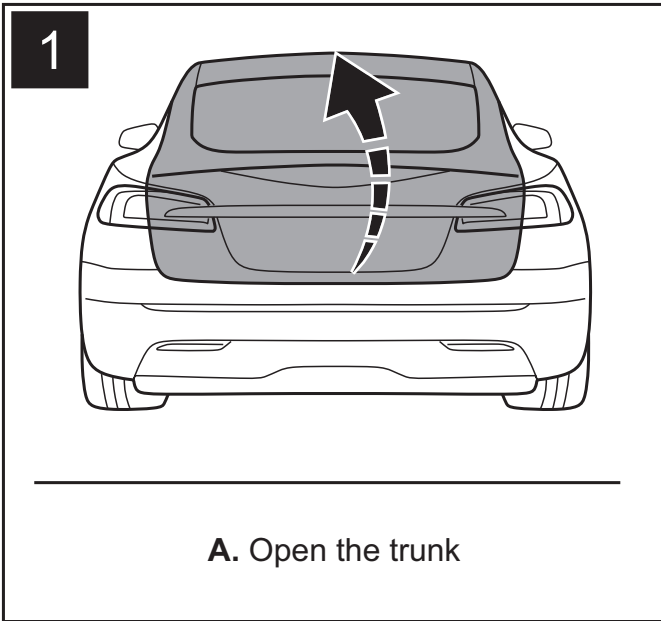


ORIS
ACPS

HELPLINE



www.oris-automotive.com/en/acps-automotive-aftermarket-worldwide



7

A. Pull back the carpet to expose the plug

8

A. Unplug the connector

9

A. Remove the waterproof layer to expose the nut (save for later)

10

A. Remove 1 10 mm nut

11

A. Remove 4 push clips with trim tool

12

A. Pull back the carpet in the wheel liner
B. Remove 1 T25 bolt

13

A. Remove 3 10 mm nuts

14

A. Remove 8 10 mm bolts
B. Remove 2 push clips with trim tool

15

A. Remove bumper and disconnect wire harness

16

A. Remove 8 15 mm nuts holding bumper beam in place
B. Scrap bumper beam and save the nuts for later

