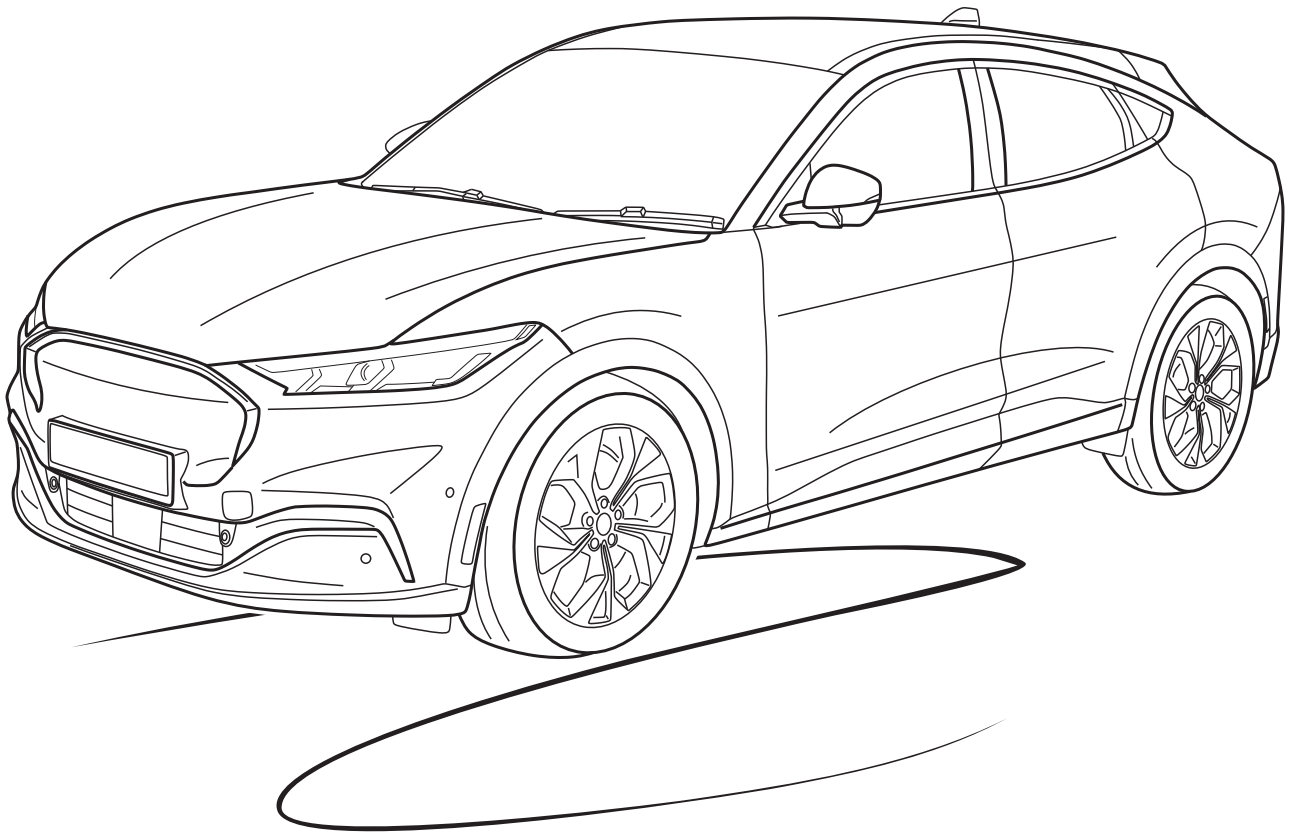
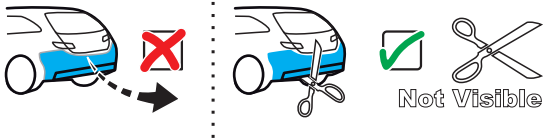


TOWSMART Part Number: 2069

ORIS Part Number: 200906

Ford Mustang Mach-E

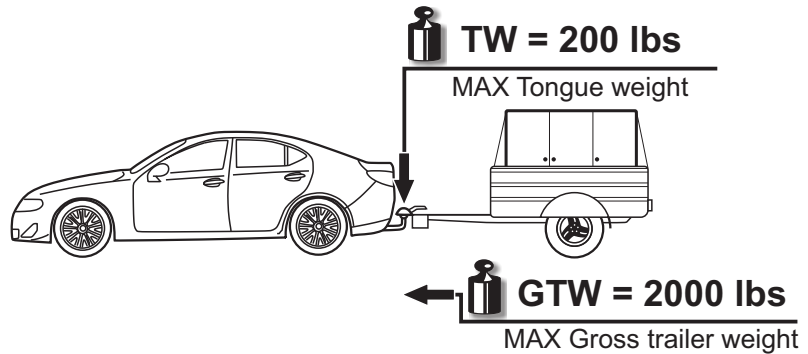
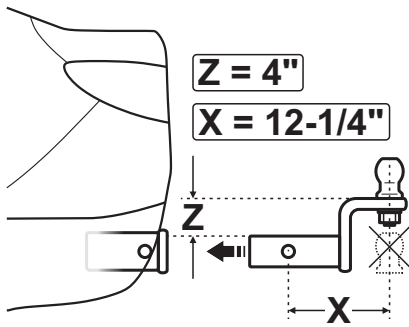
2021 -



Check our webpage for the latest and a full-color copy of this fitting instruction.



THESE INSTRUCTIONS MUST BE GIVEN TO THE END USER



Never exceed the vehicle or the hitch manufacturer's recommended towing capacity and tongue weight.



IMPORTANT SAFETY NOTICE FOR HITCH INSTALLERS AND CUSTOMERS

Read all installation, operating and safety instructions along with all labels before installing or using this product. Failure to comply with the safety information could result in serious injury or death.



www.oris-automotive.com/en/safety/



WARNING: This product can expose you to chemicals including carbon black, which is known to the State of California to cause cancer. For more information go to www.P65Warnings.ca.gov



WARNING: Do not perform any installation or towing procedures without fully understanding the correct tools and actions for all steps. Call for support if needed.



www.oris-automotive.com/en/acps-automotive-aftermarket-worldwide/

Legend / Légende / Leyenda



US Attention
F Attention
E Atención



US Incorrect
F Incorrect
E Incorrecto



US Correct
F Correct
E Correcto



US Inspect
F Examiner
E Revise



US In both sides
F Tous les deux côtés
E En ambos lados



US Manually
F À la main
E A mano



US Only 2 persons may carry out
F Toujours s'y mettre de deux
E Operación que requiere dos personas



US Remove
F Rebuter
E Tratamiento de residuos



US Location/Position Arrow
F Flèche de Position
E Flecha de posición



US Movement Arrow
F Flèche de mouvement
E Flecha de movimiento

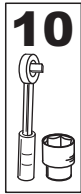


US Protect it against corrosion
F Protéger contre la corrosion
E Proteger contra la corrosión

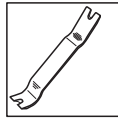


US Electrical connection
F Connexion électrique
E Conexión eléctrica

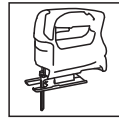
Tools Required / Outils requis / Herramientas requeridas



RATCHET WITH SOCKET



PLASTIC PRY



CUTTING TOOL



TORQUE WRENCH WITH SOCKET 19

Safety / Sécurité / Seguridad

Should be worn at all times while installing this product.

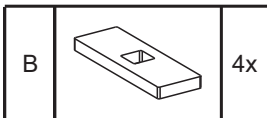
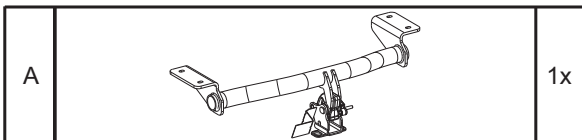
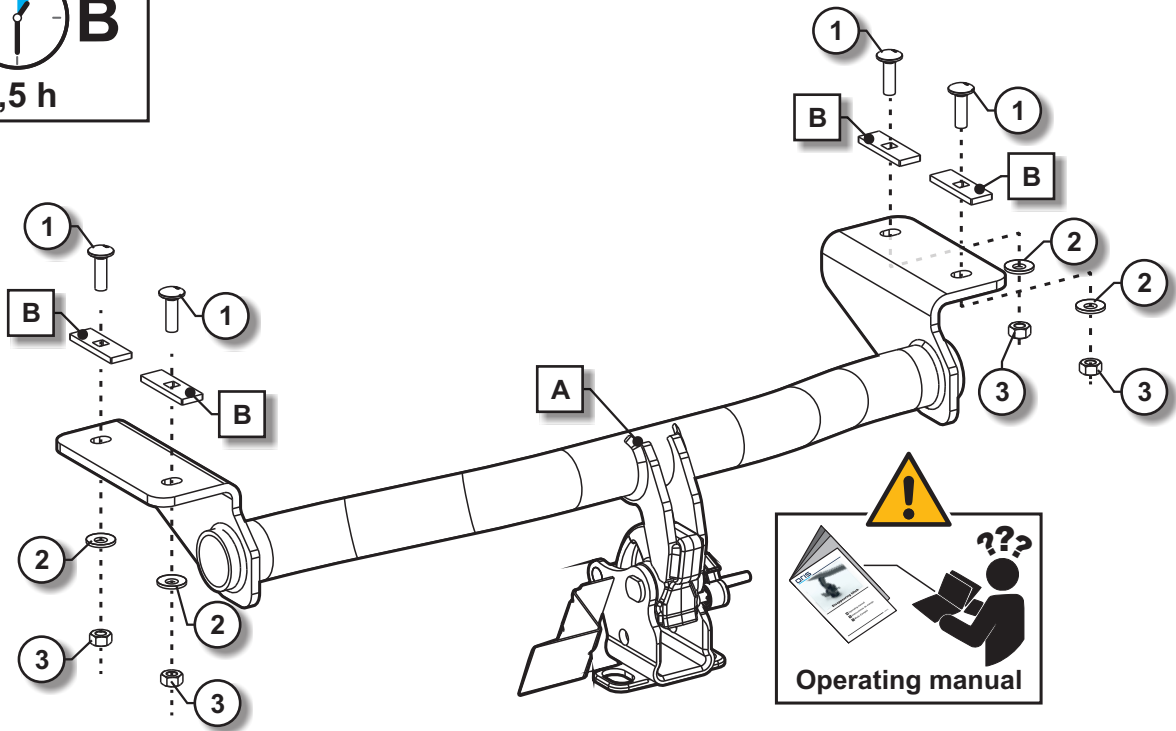
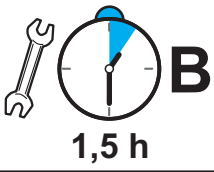
Il doit être porté en permanence lors de l'installation de ce produit.

Debe llevarse en todo momento mientras se instala este producto.

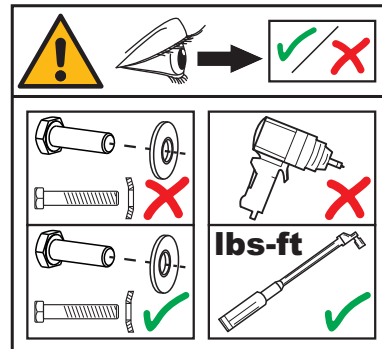


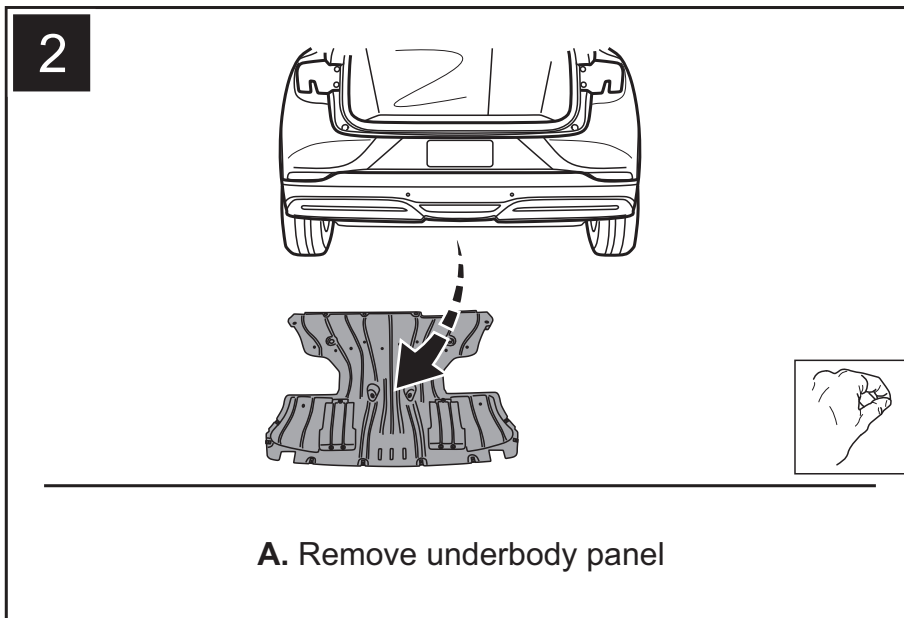
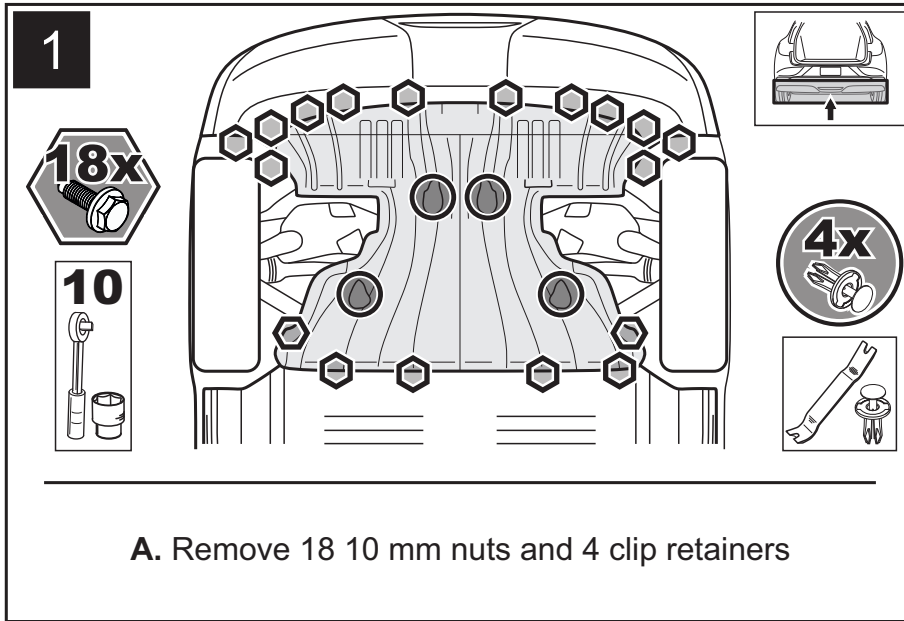
Assembly / Assemblage / Montaje

Mounting time

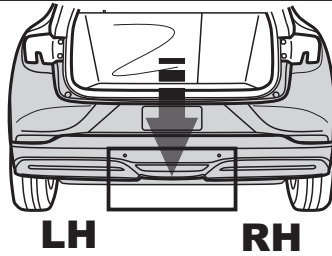


1		M12x1.75x40	8.8	4x	58 ft-lbs
2		M12		4x	
3		M12x1.75	10	4x	58 ft-lbs
4		FISH WIRE FOR 1/2" DIAMETER BOLTS		4x	





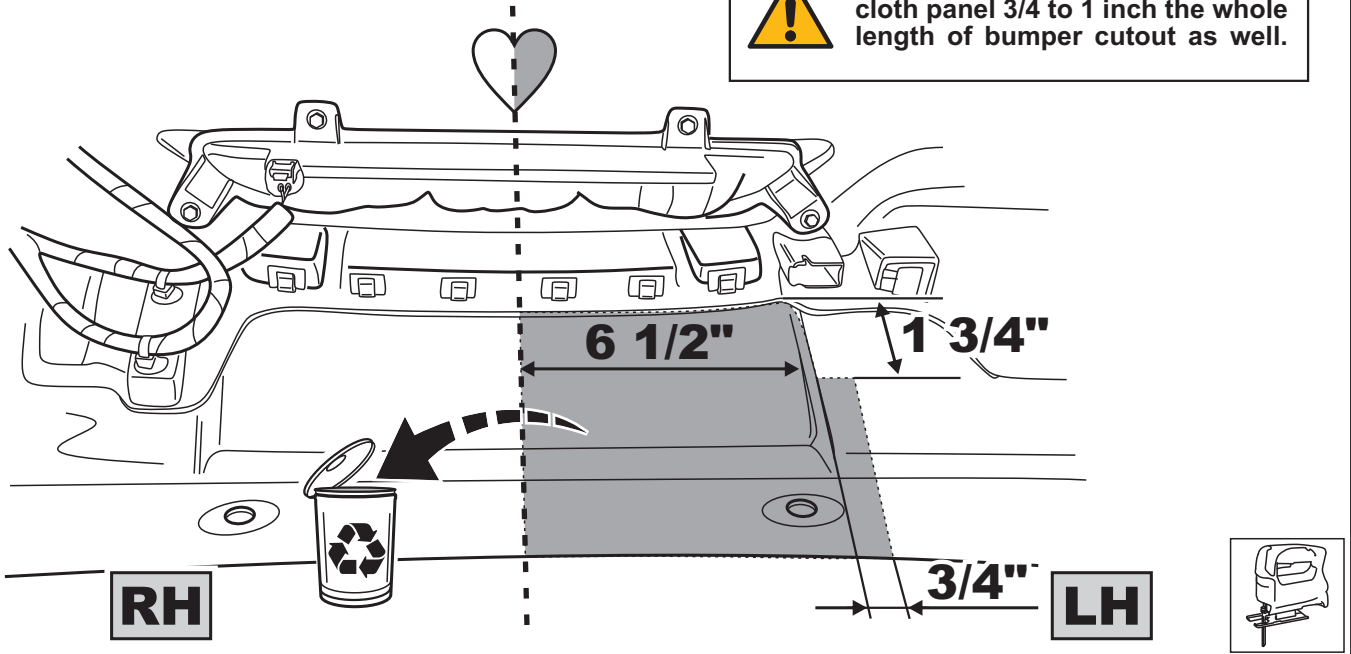
3



When making the cutout, please make sure to have enough clearance to operate hitch functions properly. This cutout is a guide, as some vehicle models will have slightly different build options.

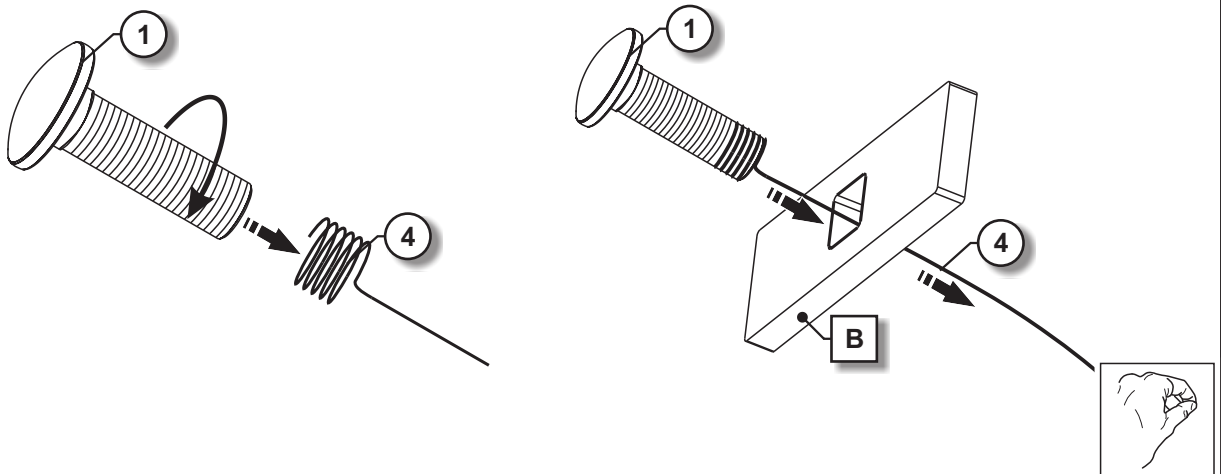


Need to cut back the underbody cloth panel 3/4 to 1 inch the whole length of bumper cutout as well.

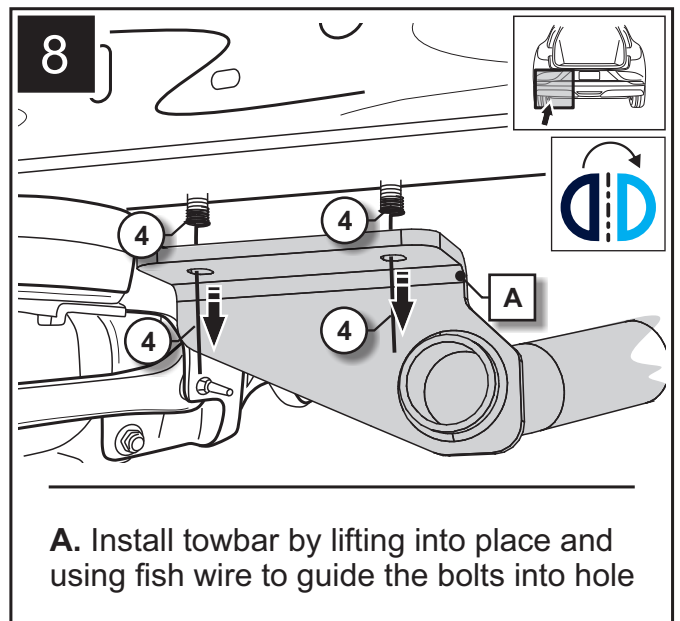
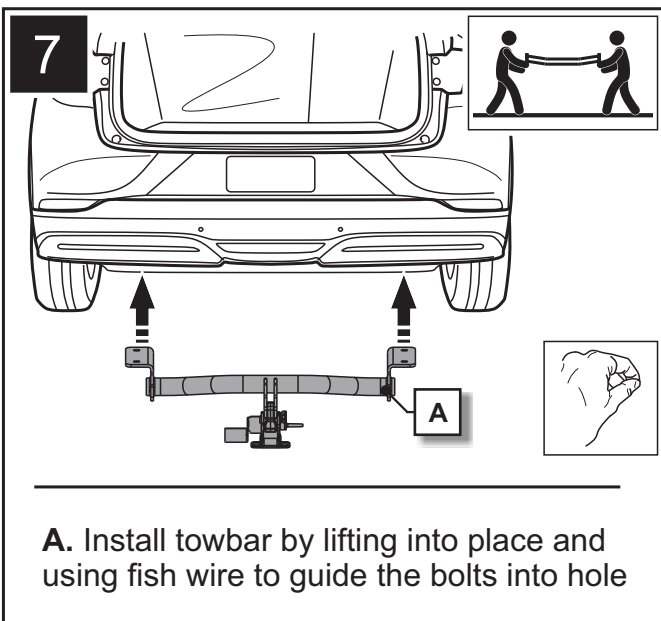
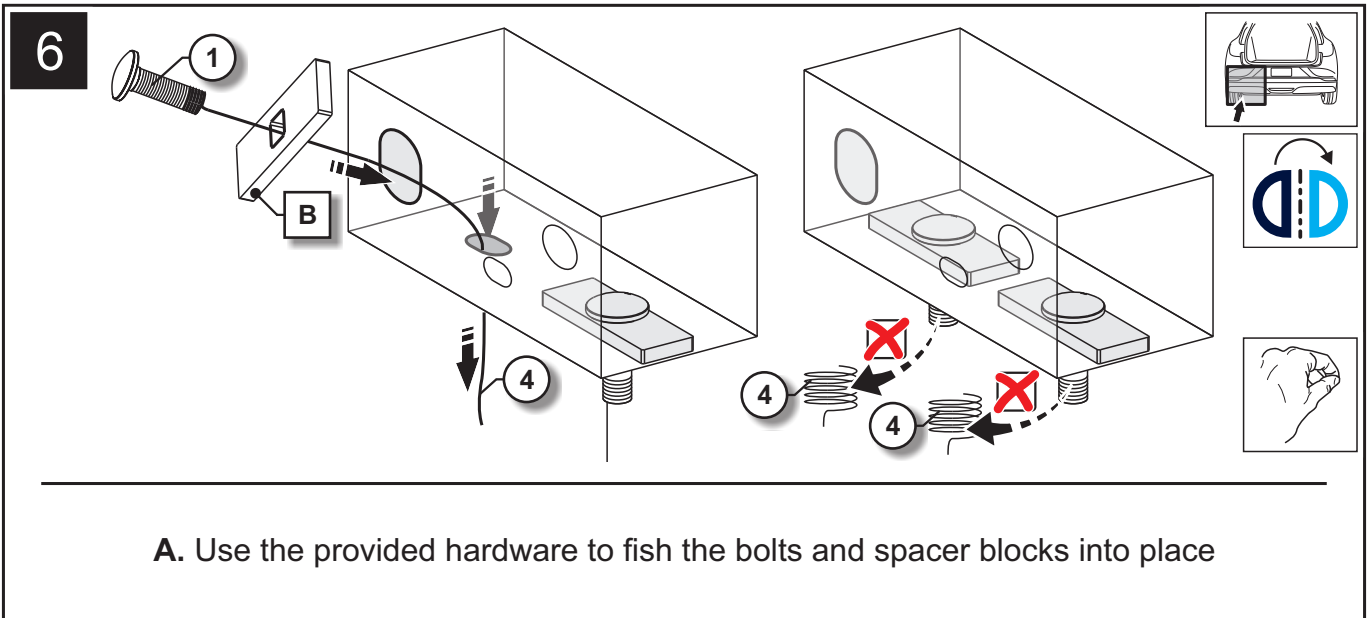
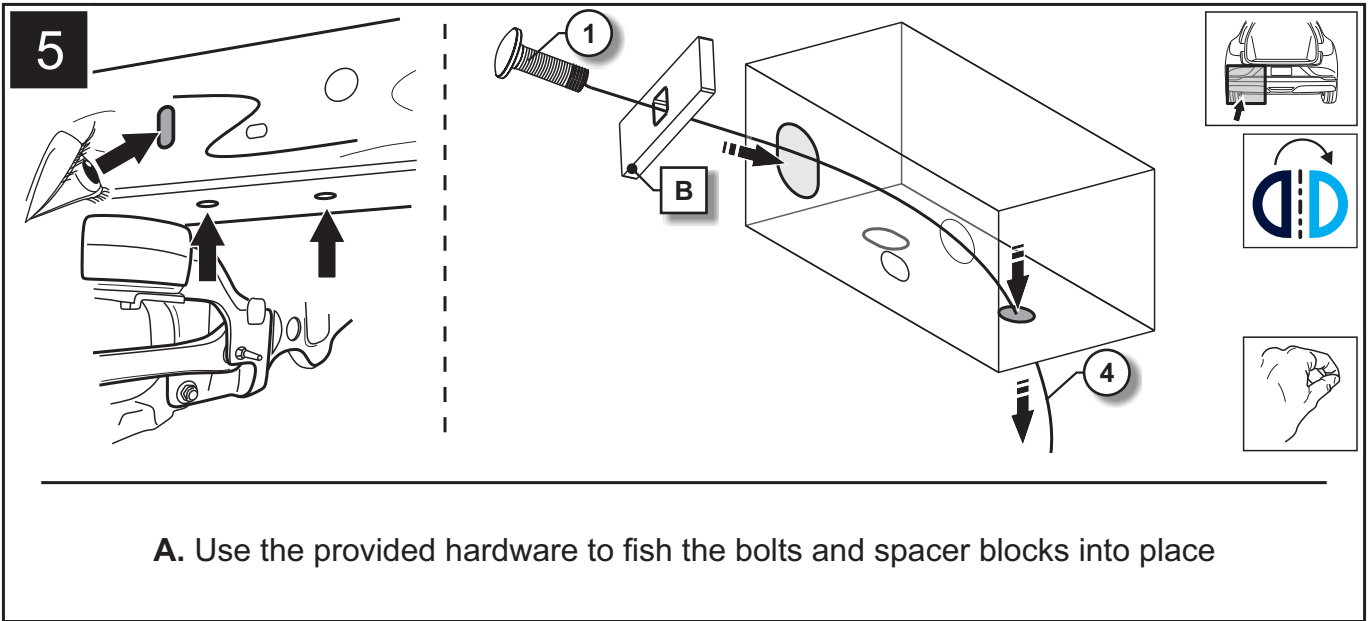


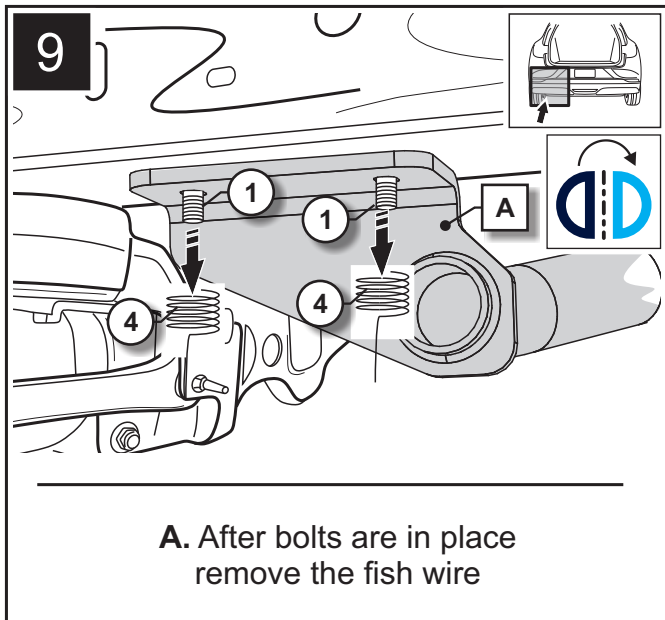
A. Make cutout using picture referenced

4

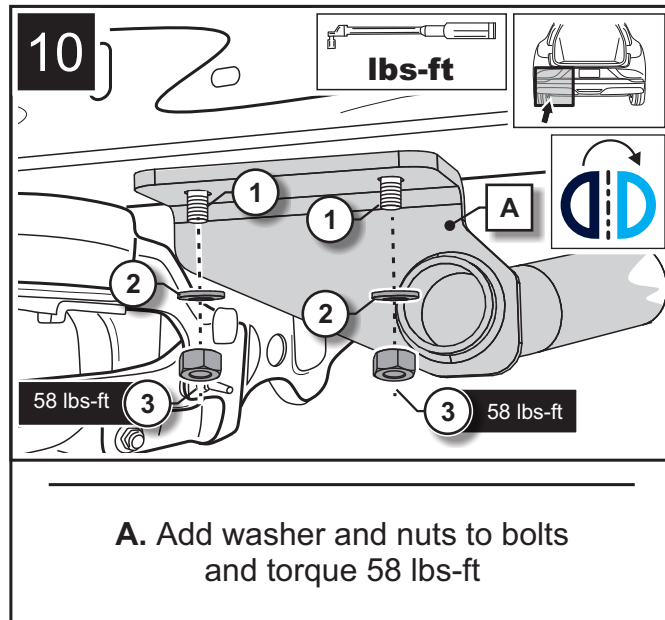


A. Use the provided hardware to fish the bolts and spacer blocks into place

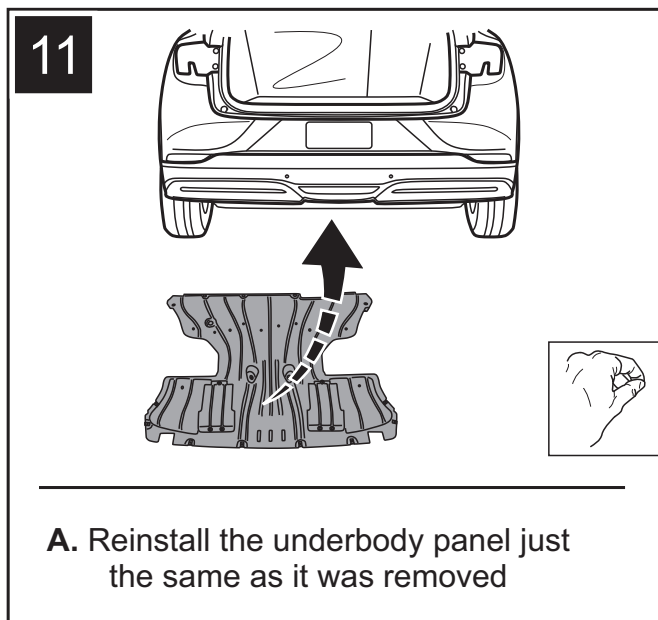




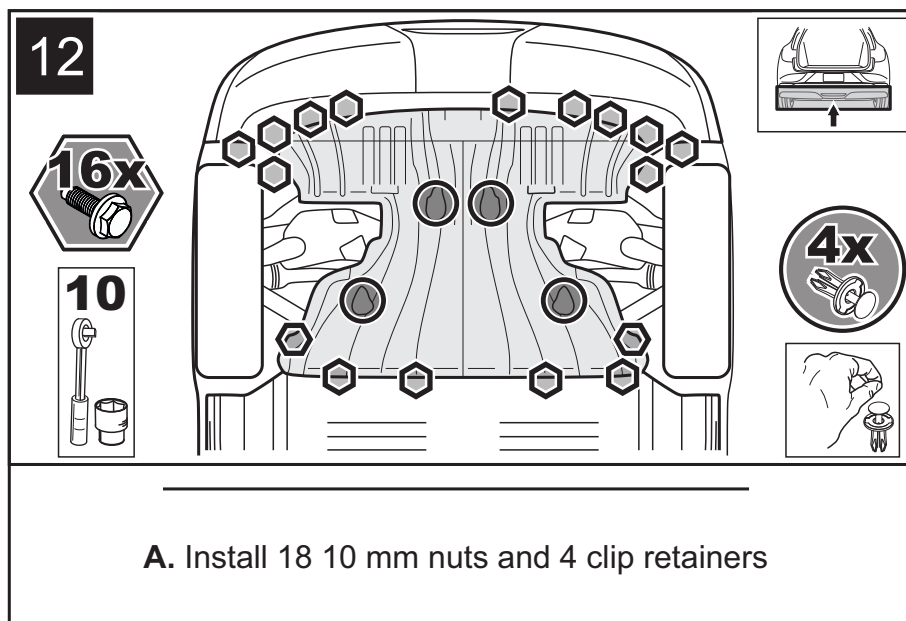
A. After bolts are in place remove the fish wire



A. Add washer and nuts to bolts and torque 58 lbs-ft



A. Reinstall the underbody panel just the same as it was removed



A. Install 18 10 mm nuts and 4 clip retainers

ORIS
ACPS

HELPLINE



www.oris-automotive.com/en/acps-automotive-aftermarket-worldwide