

Hitch, 2" Receiver, Nissan Rogue

INSTALLATION INSTRUCTIONS

READ ALL WARNINGS AND INSTRUCTIONS BEFORE INSTALLATION

⚠️WARNING: Never exceed the vehicle manufacturer's recommended towing capacity.

NOTICE:

- Always use proper tools and safety equipment to ensure a safe and quality installation.
- Inspection of the trailer hitch should be performed before and after each use to ensure all mounting hardware is tight and related hitch components are secure.

⚠️WARNING: Before you begin installation, read all instructions thoroughly.

⚠️WARNING: Safety glasses should be worn at all times while installing this product.

⚠️WARNING: Failure to adhere to exact torque specifications when securing hardware during the installation process can result in damage to the product or your vehicle. This will void the hitch warranty.

LEVEL OF DIFFICULTY: Easy

Installation difficulty levels are based on time and effort required. They will vary depending on the installer's expertise. Vehicle condition could be a factor in the level of difficulty for a proper installation.

WEIGHT CARRYING CAPACITY

Gross Trailer Weight (GTW)	4,500 lb
Tongue Weight (TW)	675 lb

WEIGHT DISTRIBUTION CAPACITY

Weight Distribution (WD)	NA
WD Tongue Weight (WDTW)	NA

PARTS LIST

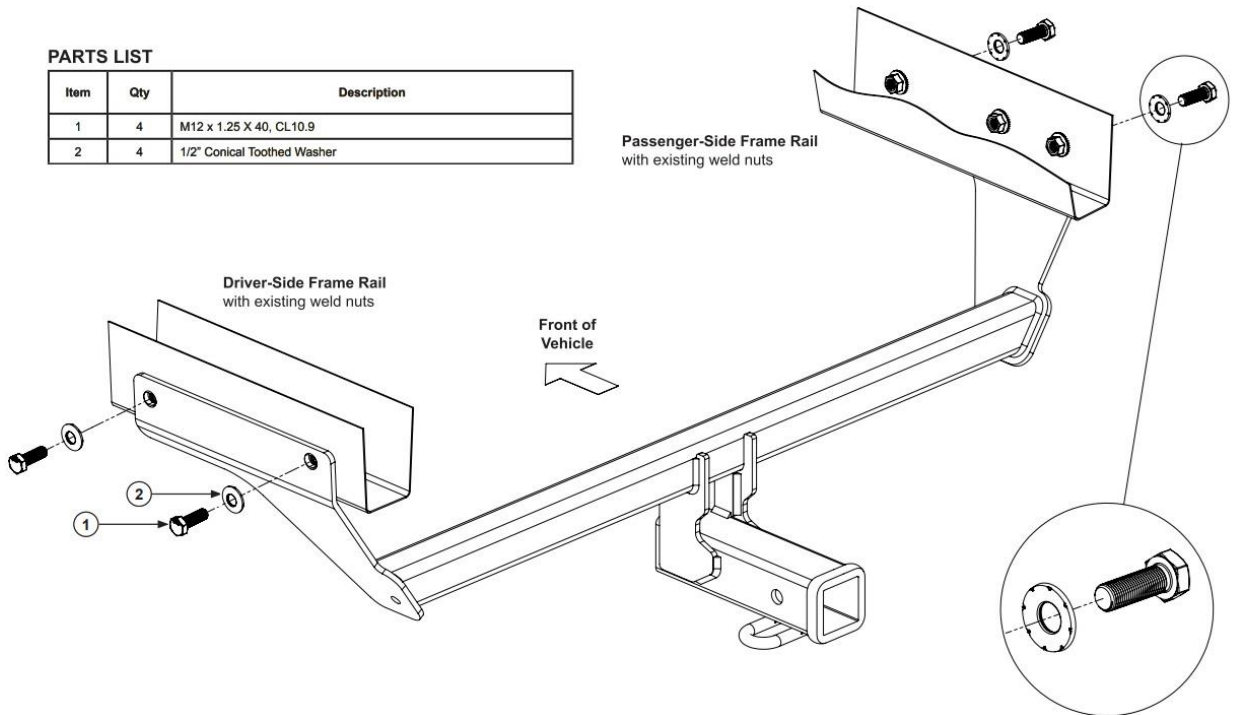
Item	Qty	Description
1	4	Hex Bolt, M12-1.25 x 40mm, CL 10.9
2	4	Conical Washer, 1/2"

TOOLS REQUIRED

Safety Glasses
Ratchet
19mm Socket
Flat head Screwdriver
Torque Wrench

PARTS LIST

Item	Qty	Description
1	4	M12 x 1.25 X 40, CL10.9
2	4	1/2" Conical Toothed Washer



INSTALLATION:

1. Remove the two push fasteners located in the center of the rear bumper fascia.
2. Lift the trailer hitch into position by sliding the driver side of the hitch over the tailpipe first, then pulling the rear bumper fascia rearward for clearance. Align the side plates with the holes in the vehicle's frame on both sides.
3. Loosely install the two provided hex bolts and conical washers into the existing weld nuts on both sides.
4. Torque all M12 fasteners to 86 lb-ft and reinstall the two push fasteners removed in Step 1

IF YOU EXPERIENCE ANY PROBLEMS WITH YOUR TOWSMART PRODUCT, DO NOT RETURN THE UNIT TO THE RETAILER FROM WHICH IT WAS PURCHASED. INSTEAD, PLEASE CALL 1-844-295-9215 FOR ASSISTANCE WITH ANY PROBLEMS. WARRANTY INFORMATION IS AVAILABLE UPON REQUEST AND CAN BE FOUND ONLINE AT TOWSMART.COM.

©02/2024



CUSTOM

A Winston Products Company
TOWSMART.COM
WINSTON PRODUCTS, LLC.
30339 Diamond Parkway
Cleveland, OH 44139