



Hitch, 2" Receiver, Acura MDX, Honda Pilot

INSTALLATION INSTRUCTIONS

READ ALL WARNINGS AND INSTRUCTIONS BEFORE INSTALLATION

⚠ **WARNING:** Never exceed the vehicle manufacturer's recommended towing capacity.

NOTICE:

- Always use proper tools and safety equipment to ensure a safe and quality installation.
- Inspection of the trailer hitch should be performed before and after each use to ensure all mounting hardware is tight and related hitch components are secure.

⚠ **WARNING:** Before you begin installation, read all instructions thoroughly.

⚠ **WARNING:** Safety glasses should be worn at all times while installing this product.

⚠ **WARNING:** Failure to adhere to exact torque specifications when securing hardware during the installation process can result in damage to the product or your vehicle. This will void the hitch warranty.

LEVEL OF DIFFICULTY: Easy

Installation difficulty levels are based on time and effort required. They will vary depending on the installer's expertise. Vehicle condition could be a factor in the level of difficulty for a proper installation.

WEIGHT CARRYING CAPACITY

Gross Trailer Weight (GTW)	6,000 lb
Tongue Weight (TW)	900 lb

WEIGHT DISTRIBUTION CAPACITY

Weight Distribution (WD)	8,000 lb
WD Tongue Weight (WDTW)	900 lb

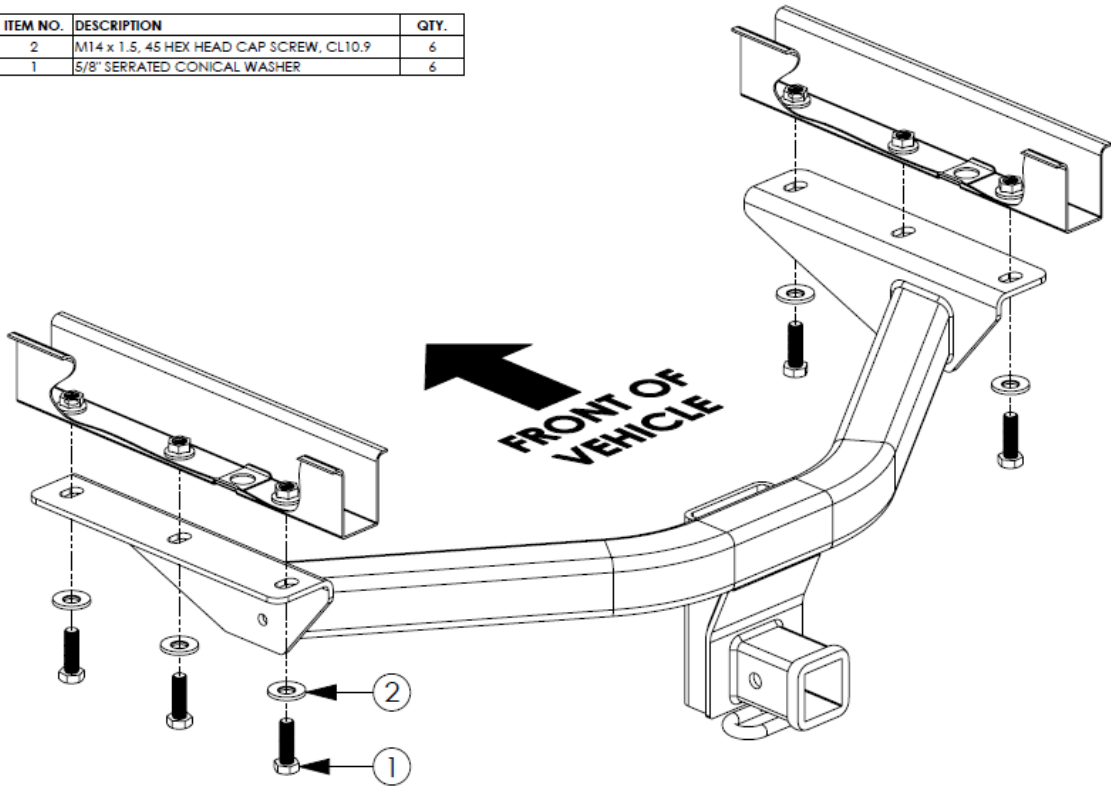
PARTS LIST

Item	Qty	Description
1	6	5/8" Serrated Conical Washer
2	6	M14 x1.5 x 40 Hex Head Cap Screw, CL10.9

TOOLS REQUIRED

Safety Glasses
Ratchet
22mm Extension
Torque Wrench
6" Socket Extension

ITEM NO.	DESCRIPTION	QTY.
2	M14 x 1.5, 45 HEX HEAD CAP SCREW, CL10.9	6
1	5/8" SERRATED CONICAL WASHER	6



INSTALLATION:

1. Lower spare tire from inside of vehicle by using the vehicle provided tools.
2. Lift hitch into position and secure with the M14 hardware provided. Weldnut cleaning may be needed.
3. Torque M14 bolts to 139 lb-ft.
3. Lift spare tire back into place following step 1's instructions.

IF YOU EXPERIENCE ANY PROBLEMS WITH YOUR TOWSMART PRODUCT, DO NOT RETURN THE UNIT TO THE RETAILER FROM WHICH IT WAS PURCHASED. INSTEAD, PLEASE CALL 1-844-295-9215 FOR ASSISTANCE WITH ANY PROBLEMS. WARRANTY INFORMATION IS AVAILABLE UPON REQUEST AND CAN BE FOUND ONLINE AT TOWSMART.COM.



A Winston Products Company
TOWSMART.COM
WINSTON PRODUCTS, LLC.
30339 Diamond Parkway
Cleveland, OH 44139