

Hitch, 2" Receiver, Select Chevy Equinox, GMC Terrain, Pontiac Torrent, Saturn Vue

INSTALLATION INSTRUCTIONS

READ ALL WARNINGS AND INSTRUCTIONS BEFORE INSTALLATION

⚠️ WARNING: The weight carrying and weight distributing capacities noted below may be higher than the vehicle manufacturer's recommended towing capacity. Never exceed the vehicle manufacturer's recommended towing capacity for your specific vehicle.

NOTICE:

- Always use proper tools and safety equipment to ensure a safe and quality installation.
- Inspection of the trailer hitch should be performed before and after each use to ensure all mounting hardware is tight and related hitch components are secure.

⚠️ WARNING: Before you begin installation, read all instructions thoroughly.

⚠️ WARNING: Safety glasses should be worn at all times while installing this product.

⚠️ WARNING: Failure to adhere to exact torque specifications when securing hardware during the installation process can result in damage to the product or your vehicle. This will void the hitch warranty.

LEVEL OF DIFFICULTY: Easy

Installation difficulty levels are based on time and effort required. They will vary depending on the installer's expertise. Vehicle condition could be a factor in the level of difficulty for a proper installation.

WEIGHT CARRYING CAPACITY

Gross Trailer Weight (GTW)	4,500 lb
Tongue Weight (TW)	675 lb

WEIGHT DISTRIBUTION CAPACITY

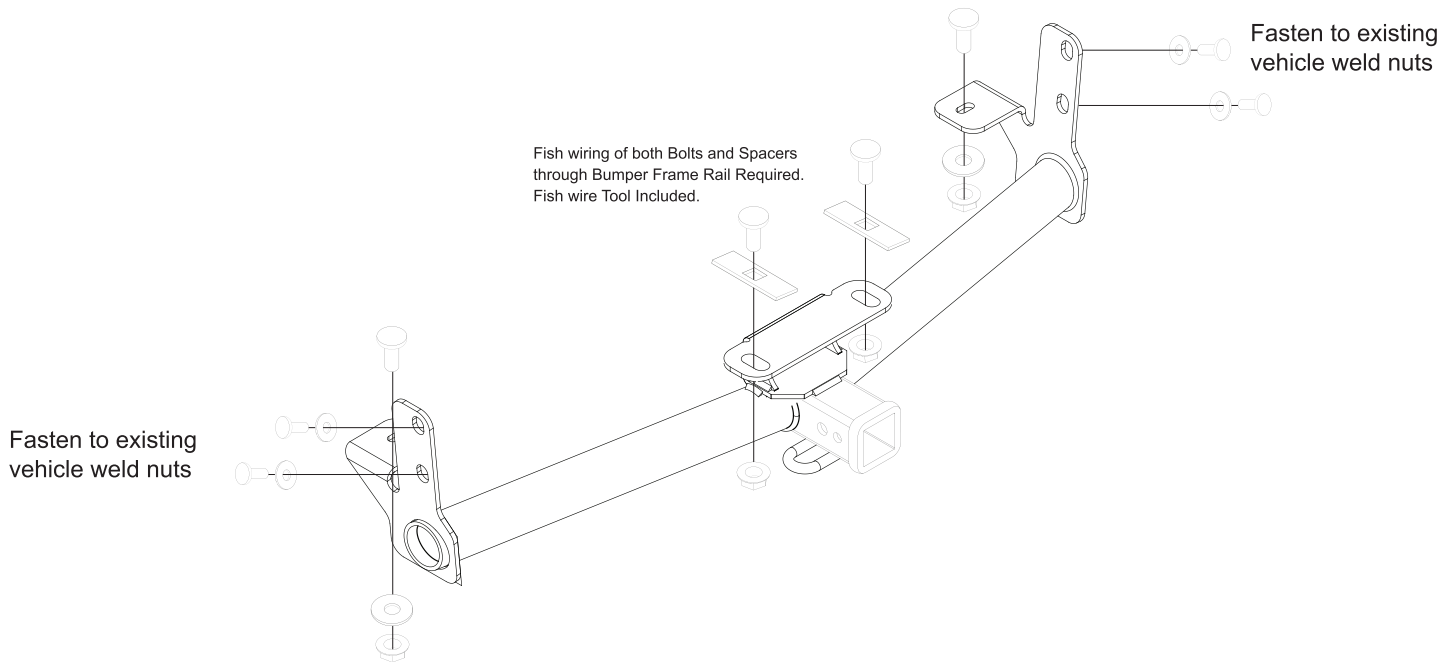
Weight Distribution (WD)	4,500 lb
WD Tongue Weight (WDTW)	675 lb

PARTS LIST

Item	Qty	Description
1	6	HHCS, M12x1.75, 45, CL10.9, YZ
2	8	Washer, S-CON, 1/2, YZ
3	2	Bolt, Car, 1/2-13 UNC, 1-1/2, GRD8, YZ
4	2	.250 x 1.50 x 2.00 Square Hole Spacer
5	2	Hex Nut, 1/2-13 UNC, GRD8, YZ
6	1	Fish wire 1/2 x 30 Fish wire
7	2	.250 x 1.50 x 3.00 Square Hole Spacer

TOOLS REQUIRED

Safety Glasses
19mm Socket
8 Socket Extensions
Socket Wrench
Torque Wrench



INSTALLATION:

1. On the Chevy Equinox and the GMC Terrain, you must remove the panel at the center of the fascia to provide space for hitch installation. (Provide to vehicle owner.)
2. Remove existing M12 fasteners from outside surfaces of frame rails. If present remove tie down brackets and provide to customer.
3. Raise hitch into position and fasten to bumper beam using M12 bolts and conical washers.
4. Install M12 bolts and conical washers on outside surfaces of frame rails.

Note: In the step, cleaning of the weld nuts might be required.
5. Fish wire remaining carriage bolts and square hole spacers through end of bumper beam.

Note: May need to enlarge holes to 17/32 to ensure clearance of 1/2 bolts
6. Torque all M12 hardware to 79 ft-lbs. Torque all 1/2 hardware to 110 ft-lbs.

FISH WIRE TECHNIQUE

1. Insert the coiled end of the fish wire tool through the mounting hole in the vehicle frame rail and out the access hole.
2. Thread the coiled end of the fish wire through the spacer and thread the bolt into the coil.
3. Kink the wire to keep the spacer separate from the bolt.
4. Pull the spacer and bolt through the frame and out the mounting hole.
5. Keep the fish wire secure to prevent loss of the bolt or spacer inside the frame rail.

IF YOU EXPERIENCE ANY PROBLEMS WITH YOUR TOWSMART PRODUCT, DO NOT RETURN THE UNIT TO THE RETAILER FROM WHICH IT WAS PURCHASED. INSTEAD, PLEASE CALL 1-844-295-9215 FOR ASSISTANCE WITH ANY PROBLEMS. WARRANTY INFORMATION IS AVAILABLE UPON REQUEST AND CAN BE FOUND ONLINE AT TOWSMART.COM.

©03/2025



CUSTOM

A Winston Products Company
 TOWSMART.COM
 WINSTON PRODUCTS, LLC.
 30339 Diamond Parkway
 Cleveland, OH 44139