

CONNECTOR, Chevrolet/GMC OE to 7-Blade and 4-Flat Vehicle End

INSTALLATION INSTRUCTIONS

⚠ WARNING: The attachment and installation of this product is beyond the control of Winston Products, LLC. Winston Products, LLC is not responsible for the attachment or the installation of this product. Winston Products, LLC is not liable for damages and/or injuries that are the result of improper use/attachment or are the result of use beyond the intended towing application. The liability of this product is limited to the purchase price if it proves to be defective in material and/or workmanship. Any and all warranties, explicit or implied, are void if the product is damaged or worn.

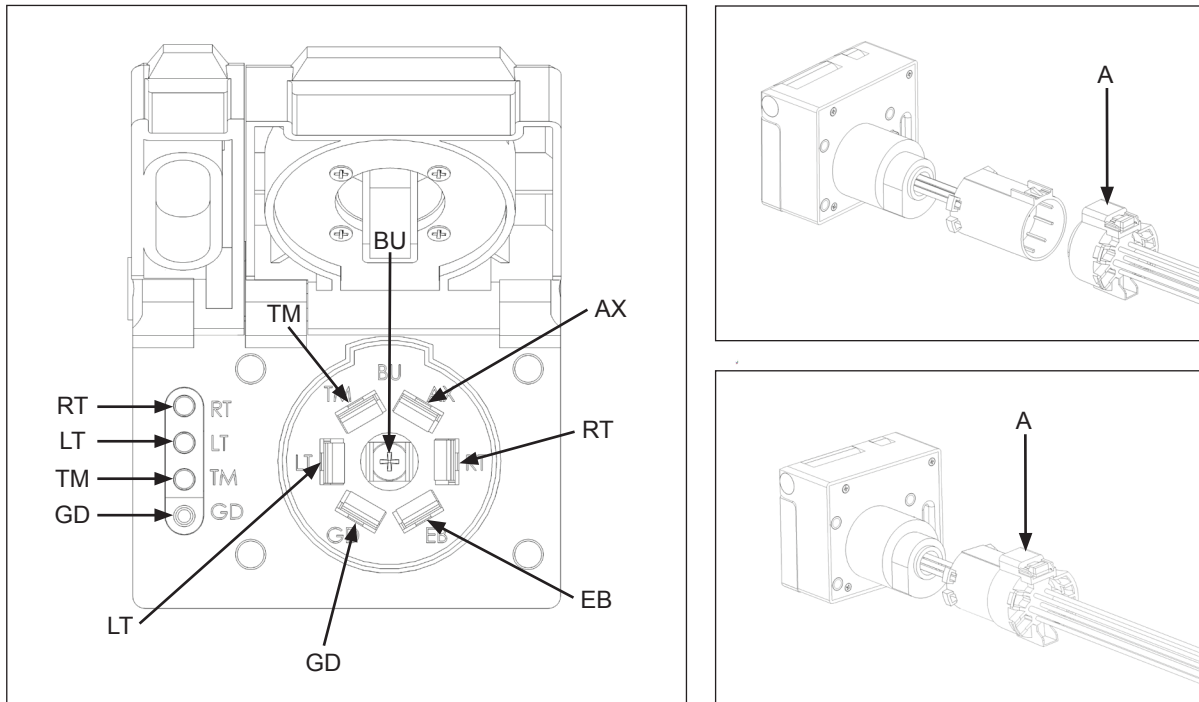
WIRE IDENTIFICATION:

GD = Ground
 TM = Taillight
 LT = Left Turn/Brake
 RT = Right Turn/Brake
 AX = Auxiliary
 EB = Electric Brakes
 BU = Reverse

1. To replace an existing damaged connector, remove the damaged connector by pressing in on the locking tabs (A) and pulling apart.
2. Apply dielectric grease to the terminals and plug the new connector into the mating factory harness on the tow vehicle. Ensure the connector is fully inserted with locking tabs (A) reattached.
3. Test all functions with vehicle running to ensure proper operation.
4. Securely mount to tow vehicle or to mounting bracket.

NOTES:

This connector will work with vehicles equipped with a factory 7-blade tow harness or connector.



IF YOU EXPERIENCE ANY PROBLEMS WITH YOUR TOWSMART PRODUCT DO NOT RETURN THE UNIT TO THE RETAILER FROM WHICH IT WAS PURCHASED. INSTEAD, PLEASE CALL 1-844-295-9215 FOR ASSISTANCE WITH ANY PROBLEMS. WARRANTY INFORMATION IS AVAILABLE UPON REQUEST AND CAN BE FOUND ONLINE AT WWW.TOWSMART.COM.



A Winston Products Company
 TOWSMART.COM
 WINSTON PRODUCTS, LLC.
 30339 Diamond Parkway
 Cleveland, OH 44139